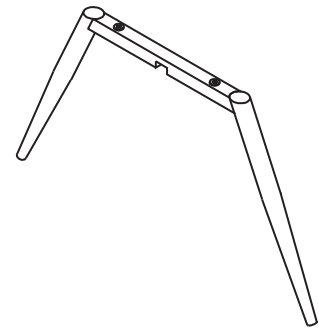
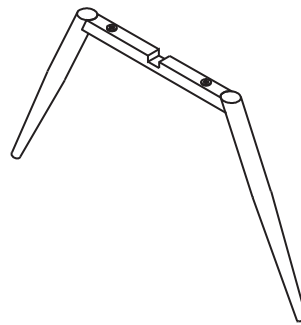
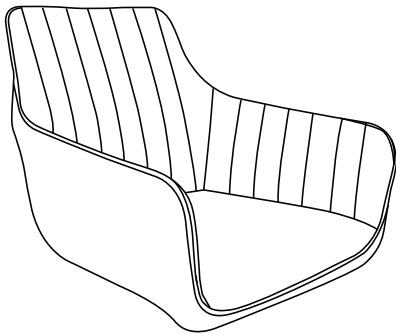


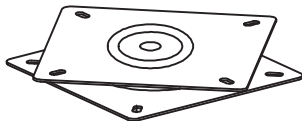
1

2

3



4



1	1 x
2	1 x
3	1 x
4	1 x

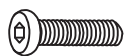
A



M6x16mm

9x

B



M6x25mm

3x

C



Ø18xØ6x1.5mm

8x

D



5MM

1x

E



Ø22xØ8x15mm

1x

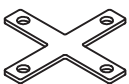
F



Ø18xØ8x4mm

2x

G

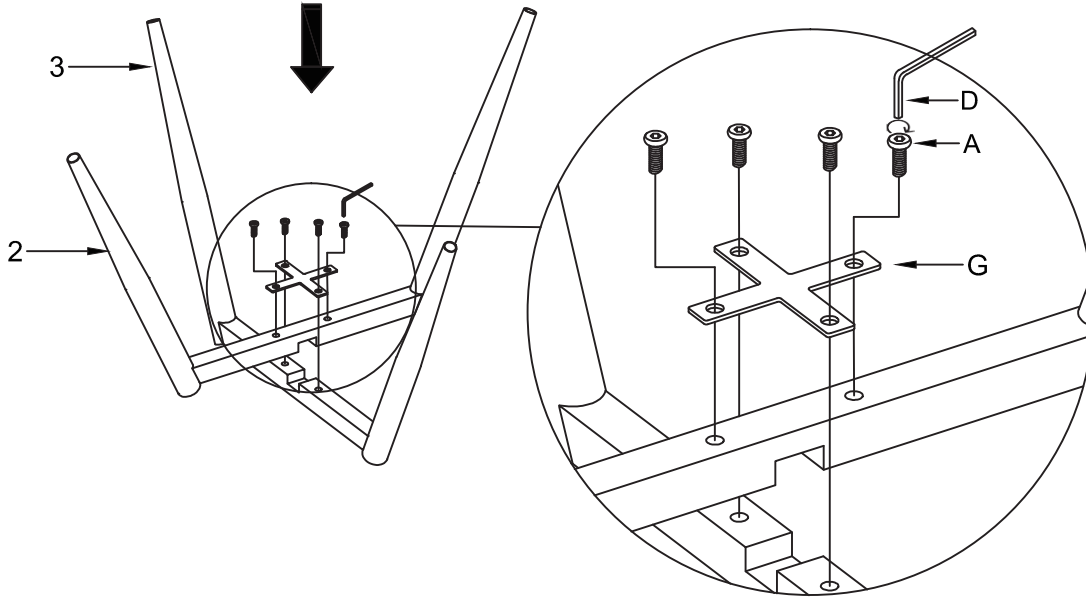


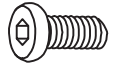

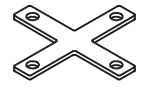

85x85x2mm

1x

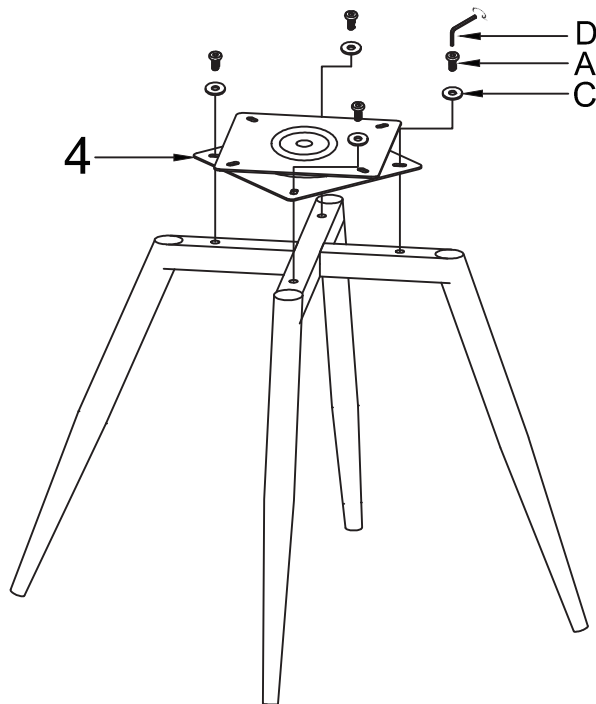
I.

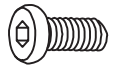



1



A	 M6x16mm 4x
D	 5MM 1x
G	 1x
	 75%

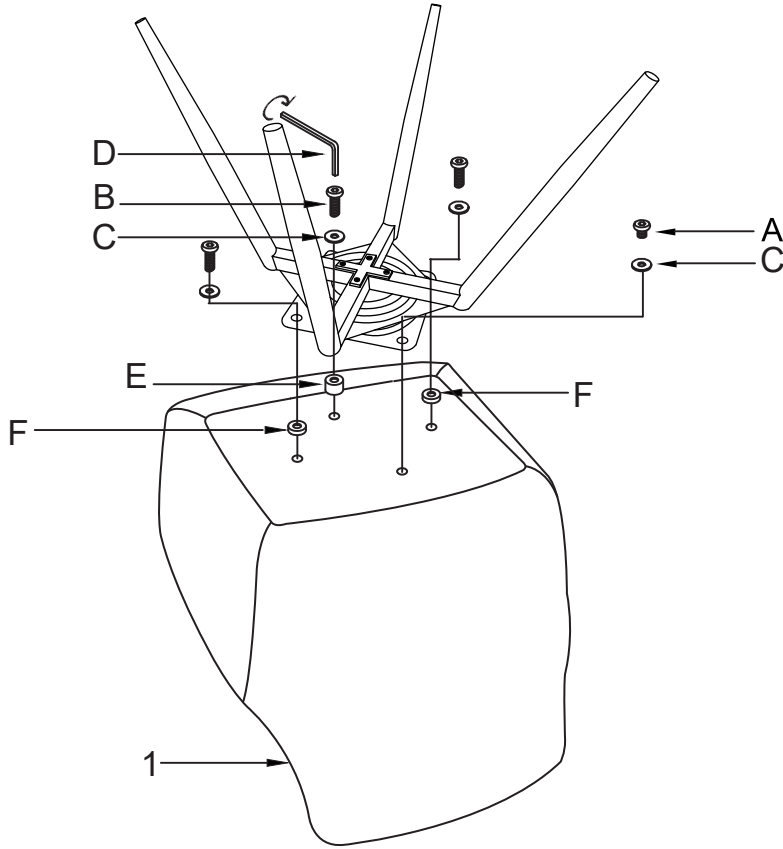
2

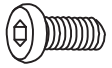








A	 M6x16mm 4x
C	 Ø18xØ6x1.5mm 4x
D	 5MM 1x
	 100%

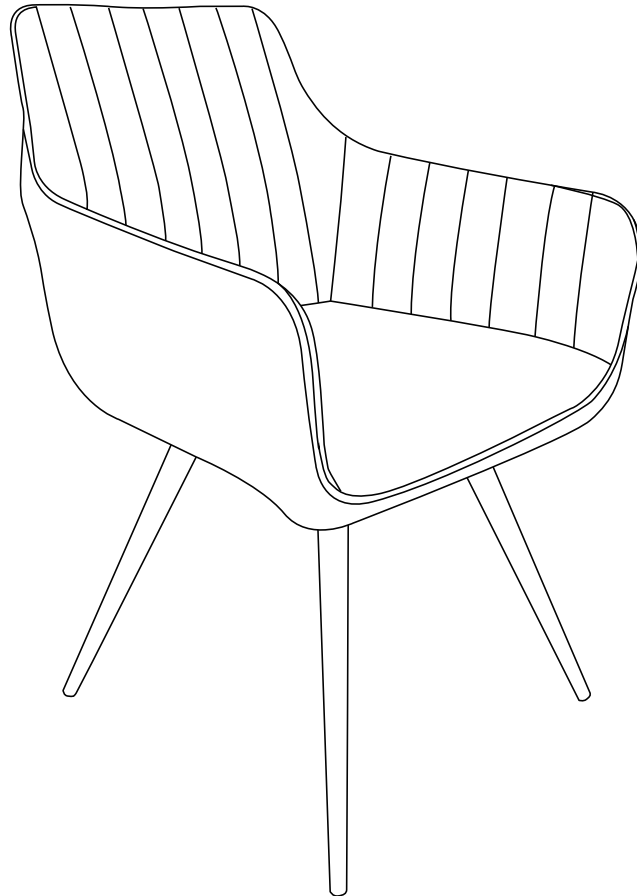
II.


3



A	 M6x16mm 1x
B	 M6x25mm 3x
C	 Ø18xØ6x1.5mm 4x
D	 5MM 1x
E	 Ø22xØ8x15mm 1x
F	 Ø18xØ8x4mm 2x
	

4



D	 5MM 1x
