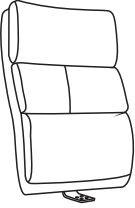



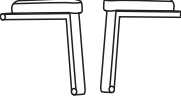
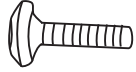
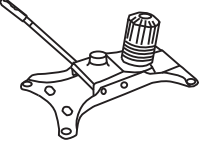

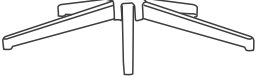




model Q-091

AX1 	GX1 
Bx1 	Hx4  M6x20mm
Cx1(LxR) 	Lx8  M6x25mm
DX1 	Mx4  M8x35mm
EX1 	Nx1 
Fx5 	Ox1 