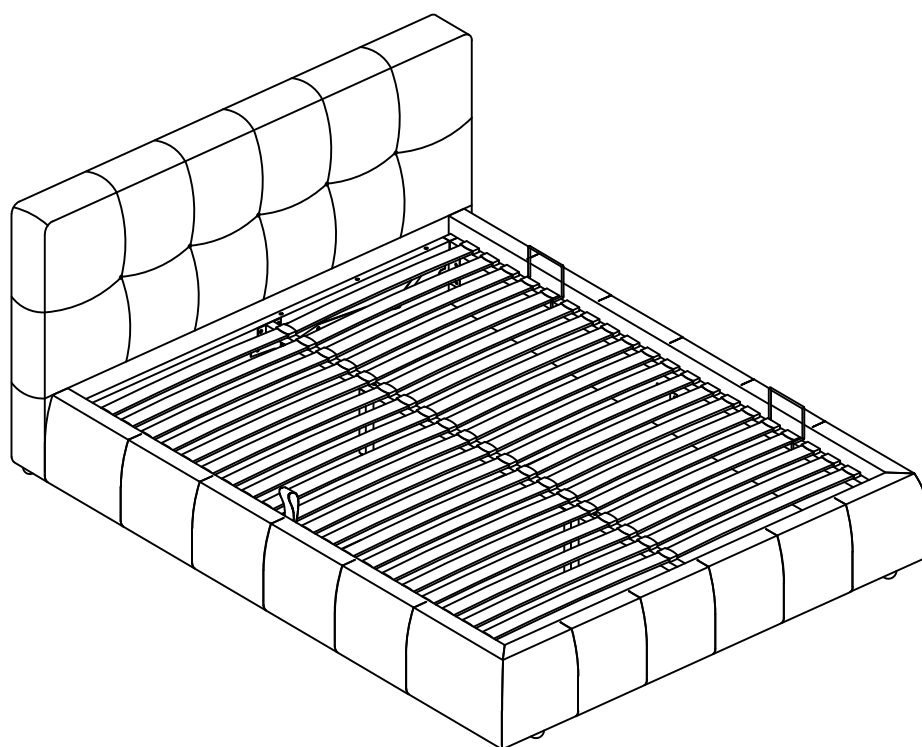


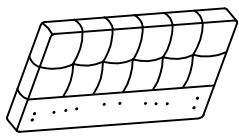
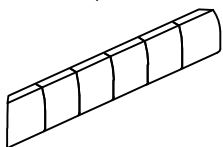
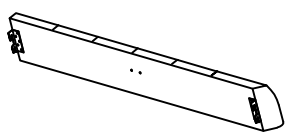
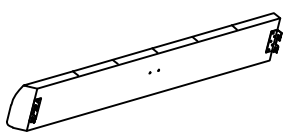
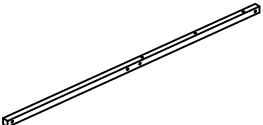
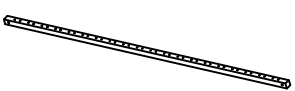

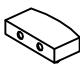

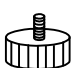

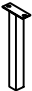
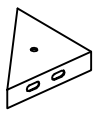
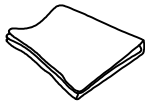
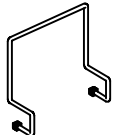

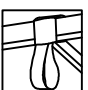
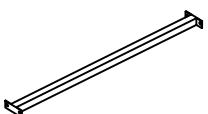



INSTRUKCJA MONTA U

ASSEMBLY INSTRUCTIONS

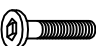






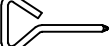
PARMA - 140x200 / 160x200



PART LIST / LISTA CZ CI

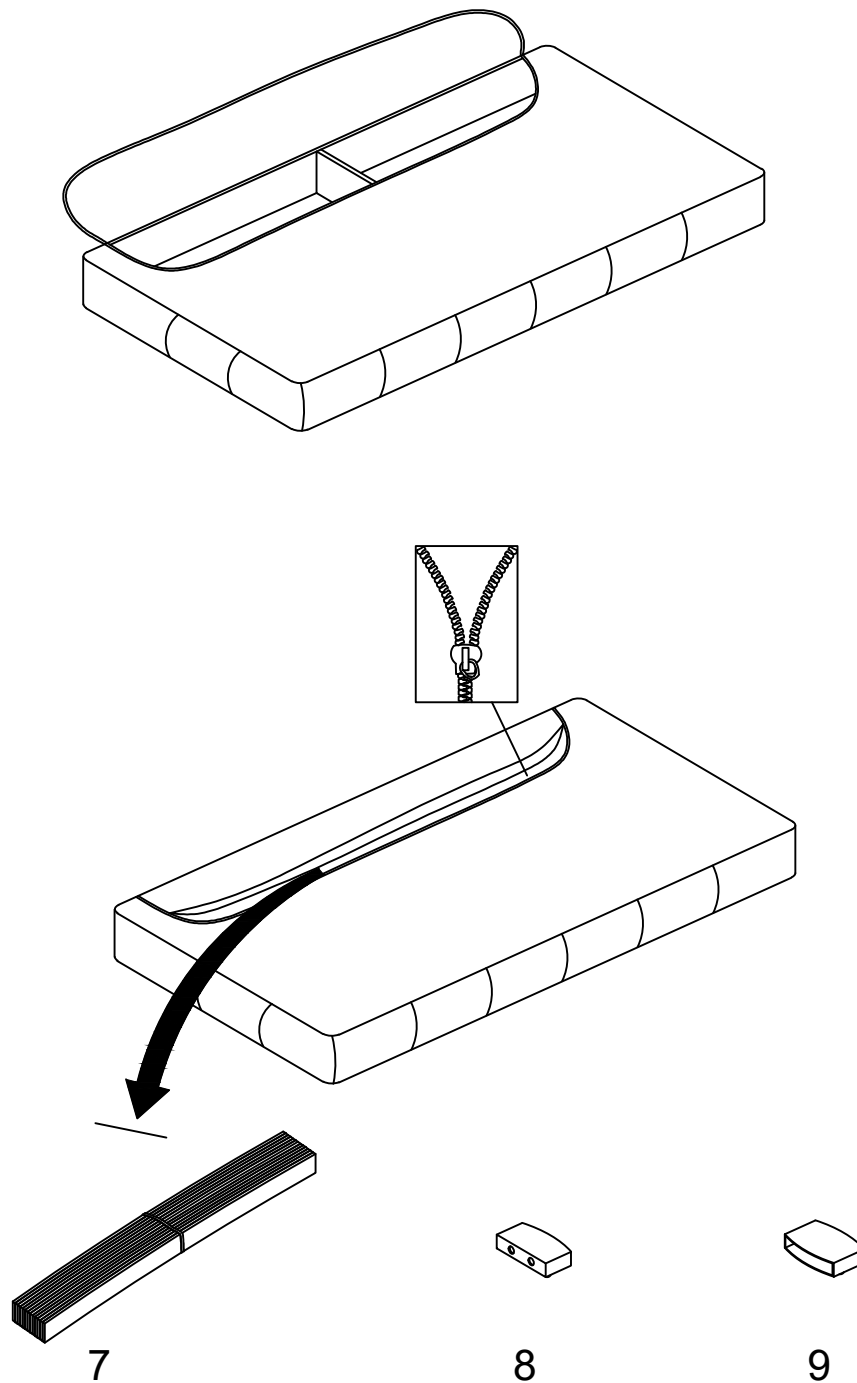
1 Headboard 1pcs 	2 Footboard 1pcs 	3 Sideboard A 1pcs 	4 Sideboard B 1pcs 
5 Cross Rail of Metal Frame 2pcs 	6 Siderail of Metal Frame 2pcs 	7 Wooden Slats 40pcs 	8 Single Plastic Cap 40pcs 
9 Double Plastic Cap 20pcs 	10 Bed Feet 4pcs 	11 Storage Frame Connector 4pcs 	12 Support Leg 2pcs 
13 Corner Angle Bracket 2pcs 	14 Non-woven Fabric 1pcs 	15 Mattress Stopper 2 pcs 	16 Center Support Bar 1pcs 
17 Digging Rope 1pcs 	18 Cross Rail-Centre 1pcs 	19 Folding Mechanism (Back) 1pcs 	20 Folding Mechanism (Front) 1pcs 
21 Folding Mechanism (Back) 1pcs 			

HARDWARE LIST / WYKAZ RUB

A Bolit M8*30 28pcs 	B Bolit M8*40 14pcs 	C Nut 14pcs 	D Washer 8pcs 
E Washer 8pcs 	F Allen Key M5 1pcs 	G Socket Spanner 1pcs 	H Screwdriver 1pcs 

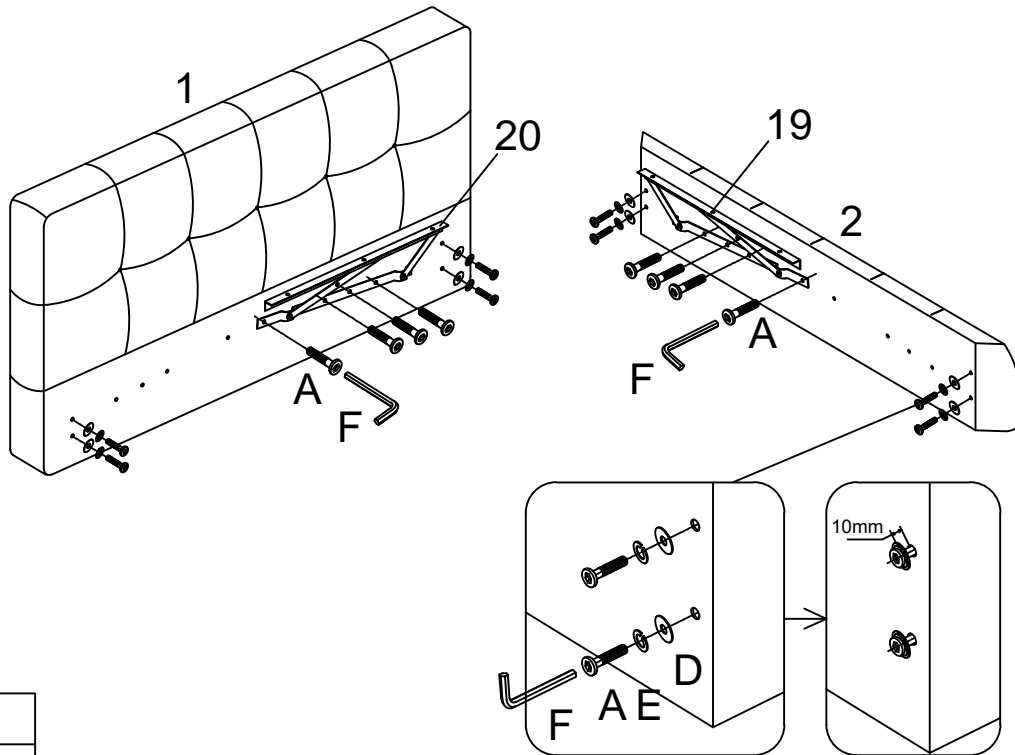
Listwy stela a (7) i plastikowe uchwyty (8 i 9) s umieszczone z tyłu zagłówka. Prosz je
wyj przed monta em łó ka.

The wooden slats (7) and plastic caps (8&9) are in the back of the headboard. Please t
ake them out before you assemble the bed.



Step 1

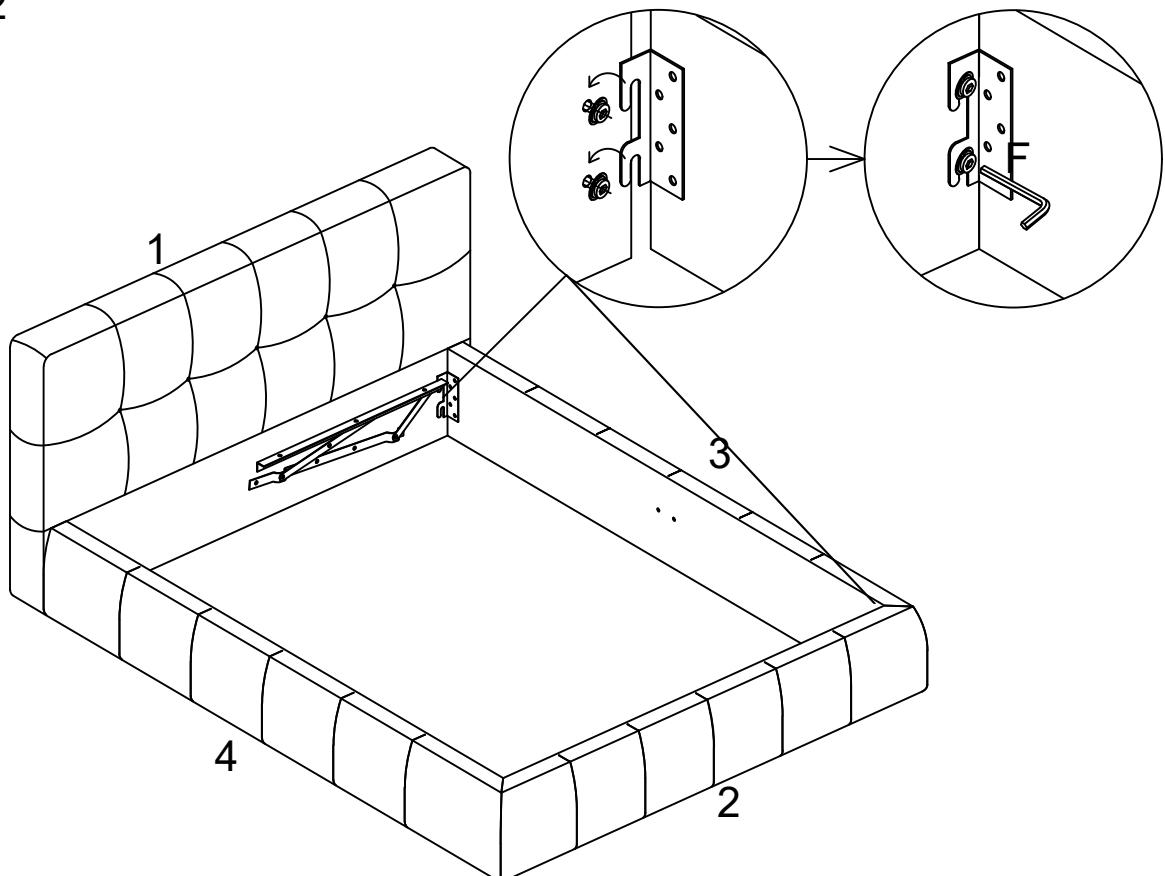
Podnośnik może być otwarty z obu stron łóżka, więc przy montażu można wybrać odpowiednią stronę.



F.x1	
E.x8	
D.x8	
A.x16	

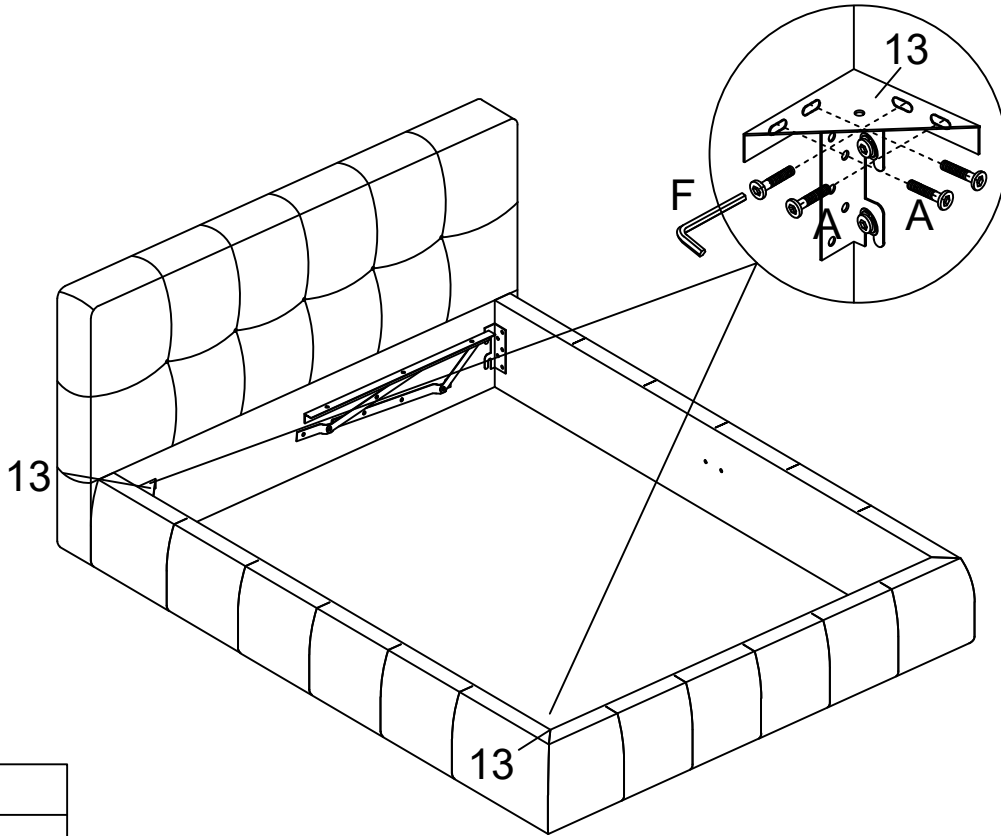
The gas lift can be opened on both sides of the bed, so you can assemble as per your need.

Step 2



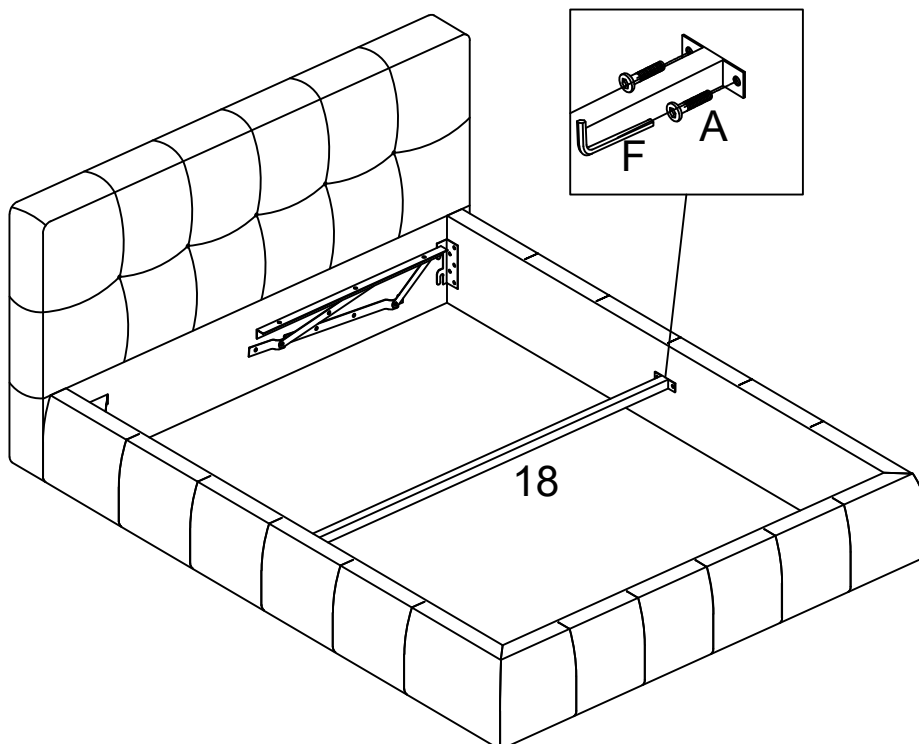
F.x1	
------	--

Step 3



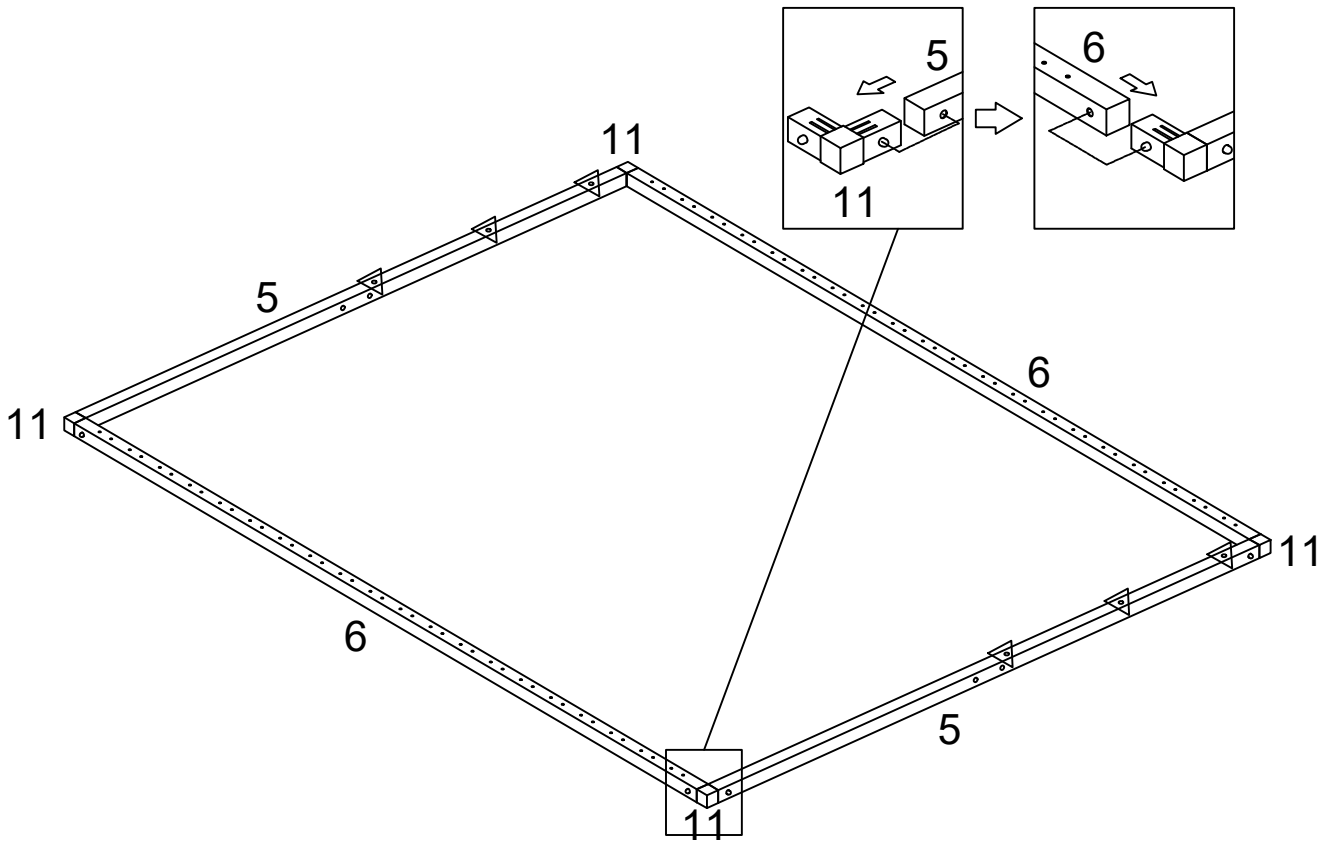
13.x2	
F.x1	
A.x8	

Step 4



F.x1	
A.x4	

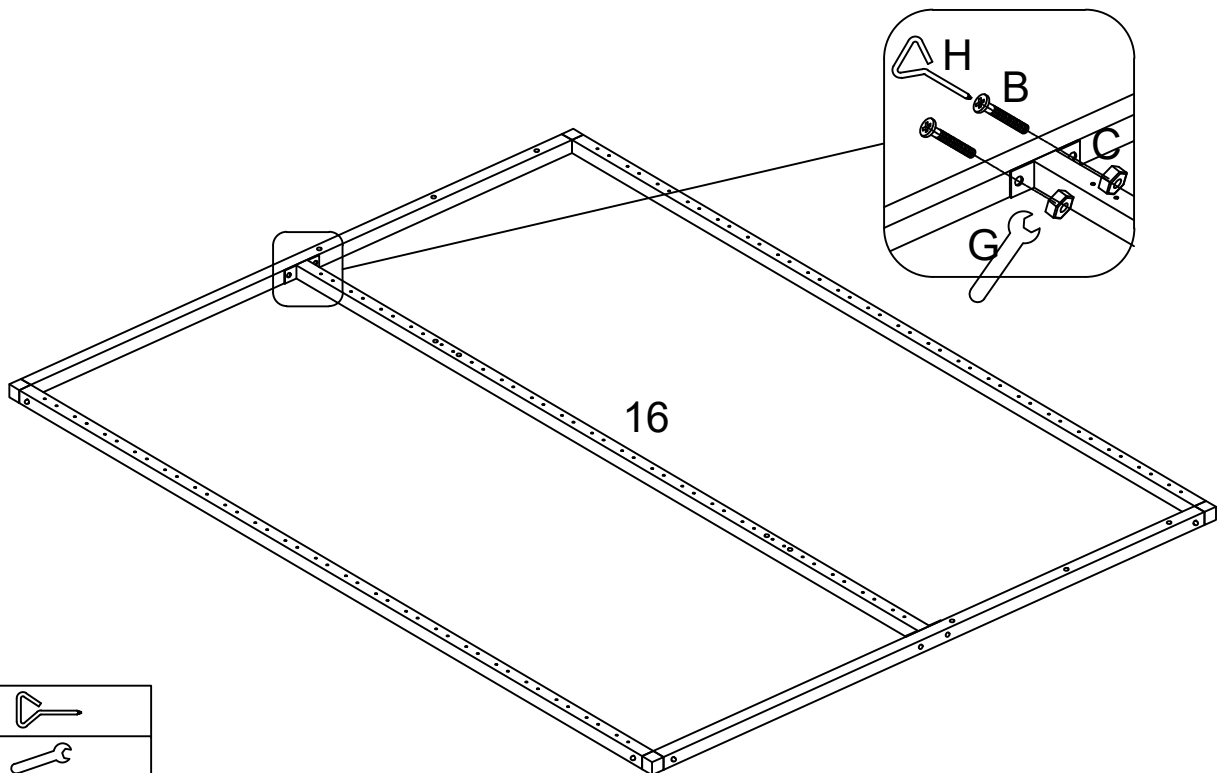
Step 5



11.x4



Step 6



H.x1



G.x1



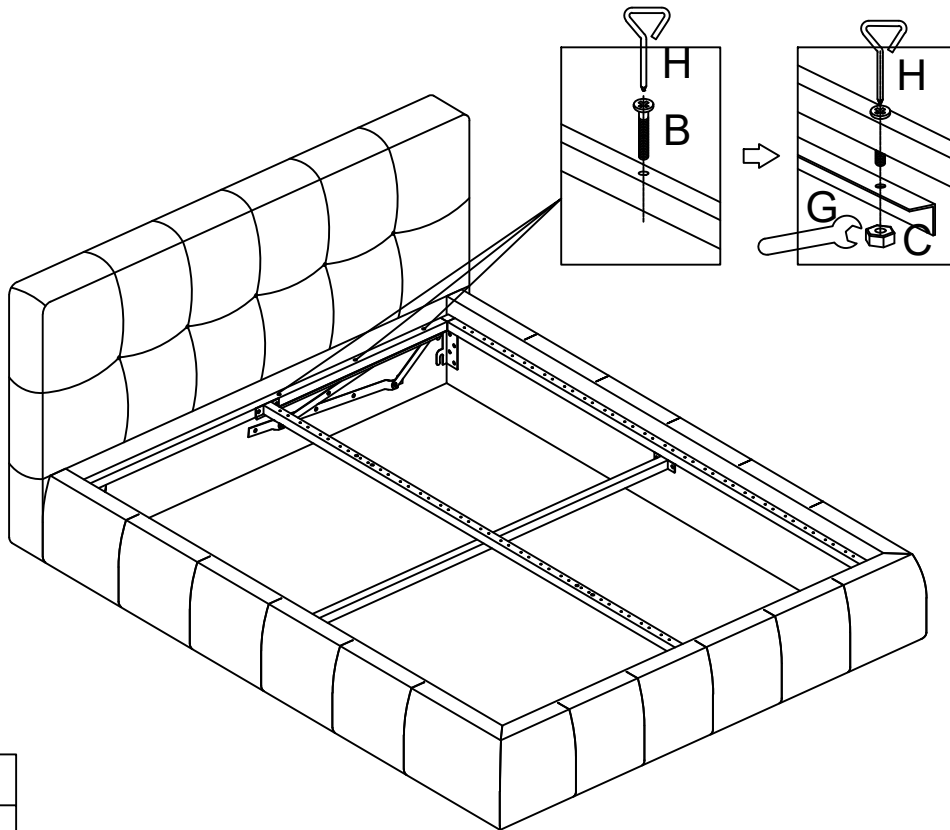
C.x4



B.x4

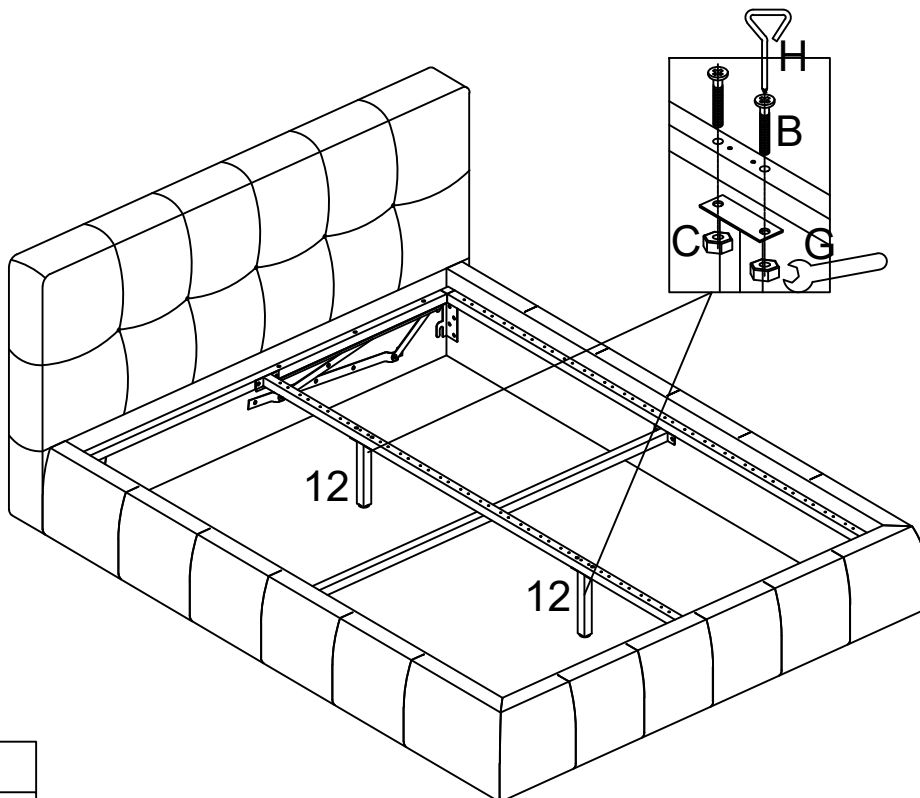


Step 7



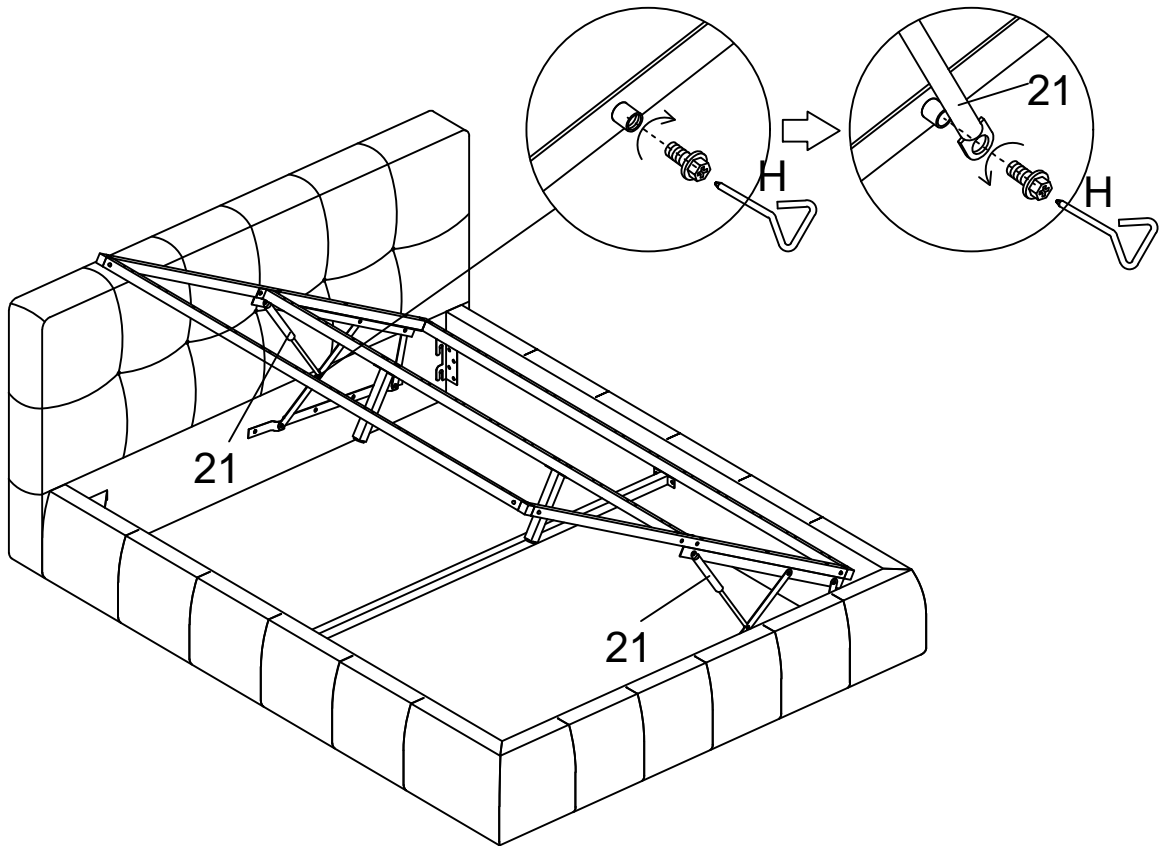
H.x1	
G.x1	
C.x6	
B.x6	

Step 8



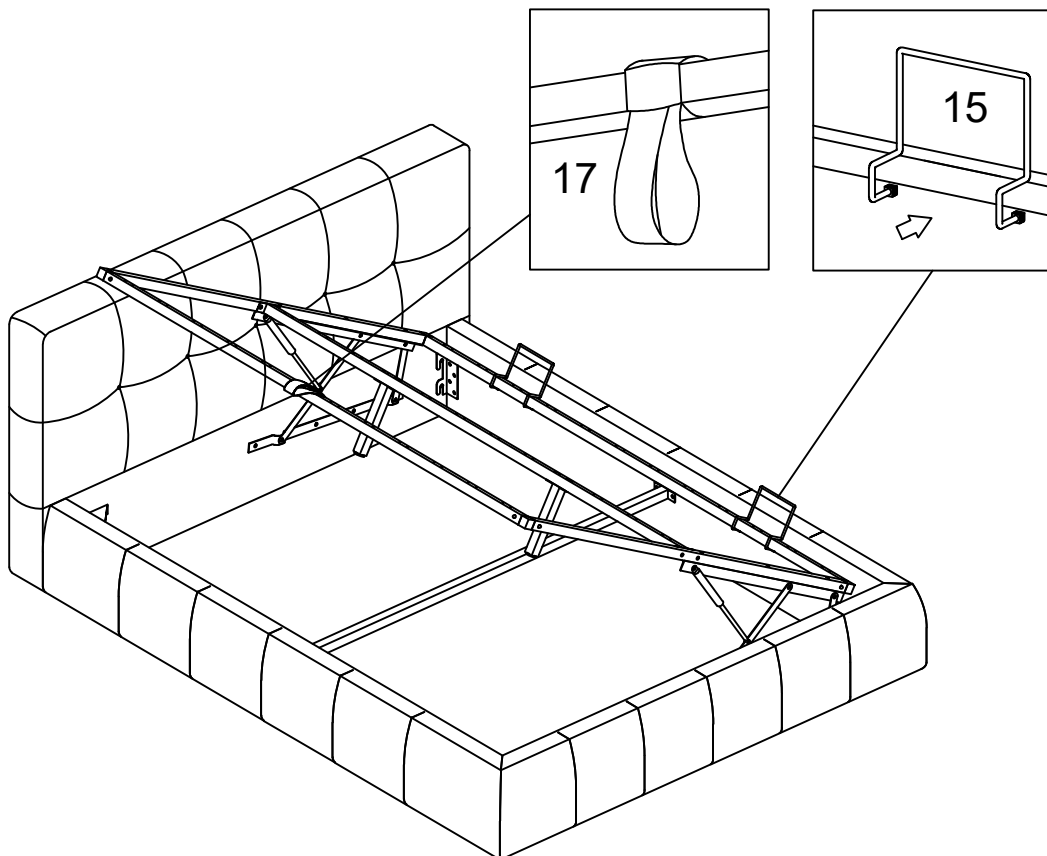
H.x1	
G.x1	
C.x4	
B.x4	

Step 9




H.x1 

Step 10

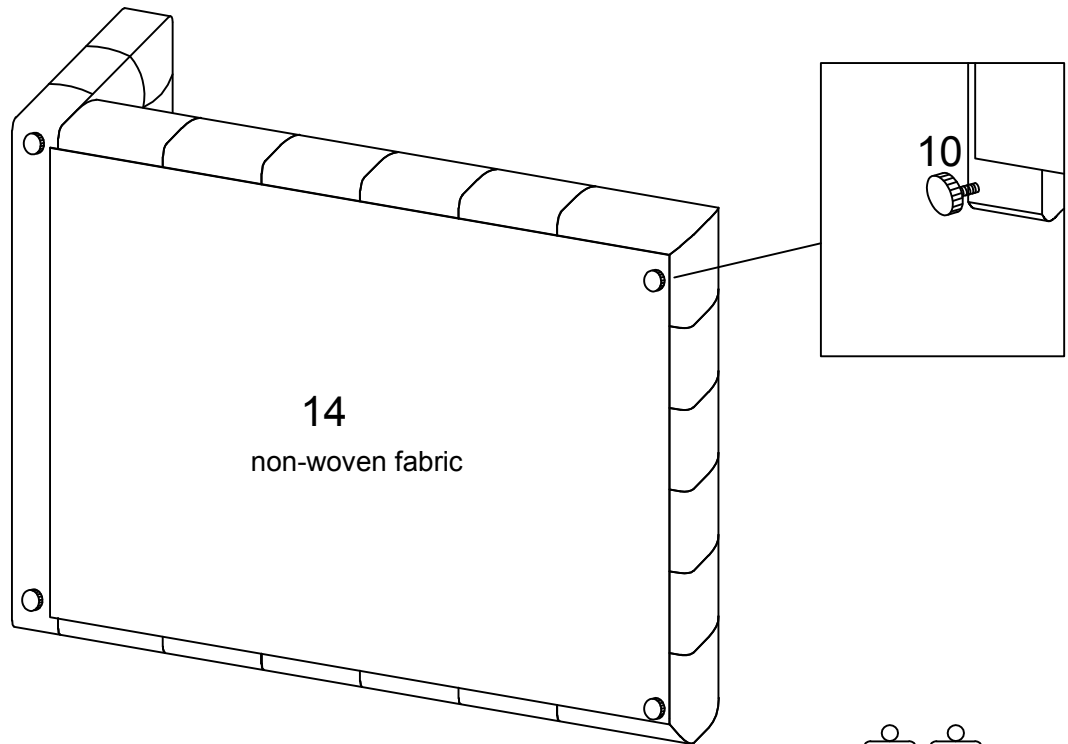


17.x1 

15.x2 

Step 11

Stick non-woven fabric to the bottom of the bed then assemble the 4 feet.



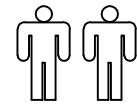
14x1



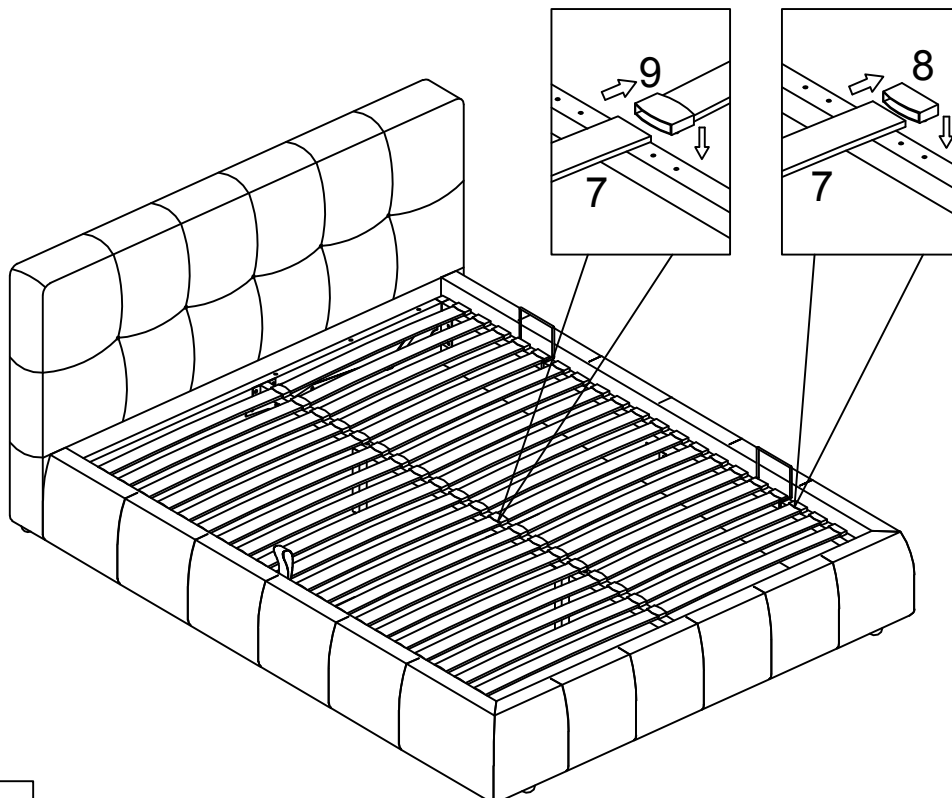
10.x4



Przyczep włóknin do dna łóżka i zamontuj 4 nóżki.



Step 12



9.x20



8.x40



7.x40

