

# 8321H(KD) MESH CHAIR ASSEMBLE INSTRUCTION


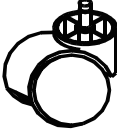


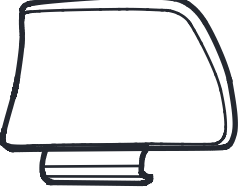




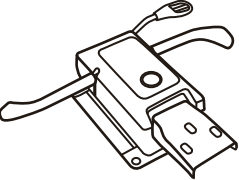





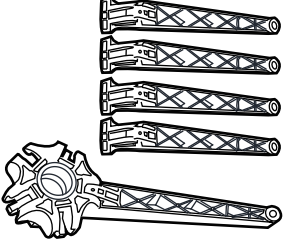



## ERGON

### CAUTION

- Weight capacity:136kgs
- Because of the edges of some partsbefore assmby may be sharp, please handle unassembled parts carefully.
- Never wave or bump the chair fiercely.
- Never wipe with damp cloth or hard things.
- Stock in door after cleaning when not used.



|   |   |   |
|---|---|---|
|  <p><b>A</b> x 1</p>   |  <p><b>G</b> x 5</p>                     |  <p><b>105</b> x 4</p>                         |
|  <p><b>B</b> x 1</p>   |  <p><b>H</b> x 1</p>                     | <p>M6*50</p>  <p><b>106</b> x 2</p>            |
|  <p><b>C</b> x 1</p>  |  <p><b>101</b> x 6</p>                  | <p>M6*45</p>  <p><b>107</b> x 1</p> <p>M4</p> |
|  <p><b>D</b> x 1</p> | <p>φ16*φ6*1</p>  <p><b>102</b> x 4</p> |  <p><b>108</b> x 1</p> <p>M5</p>             |
|  <p><b>E</b> x 1</p> | <p>M6*35</p>  <p><b>103</b> x 3</p>    | <p><b>109</b> x 3</p>                        |
|  <p><b>F</b> x 5</p> | <p>M8*20</p>  <p><b>104</b> x 2</p>    | <p>M6*20</p> <p>φ8*18*1</p>   |

