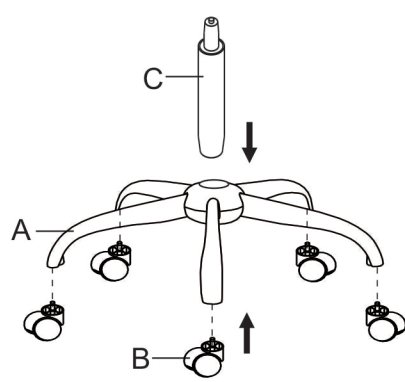
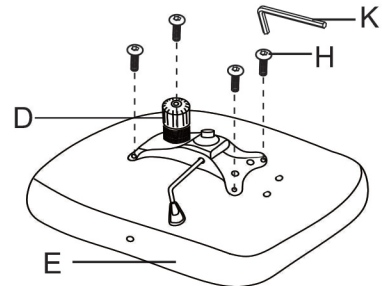
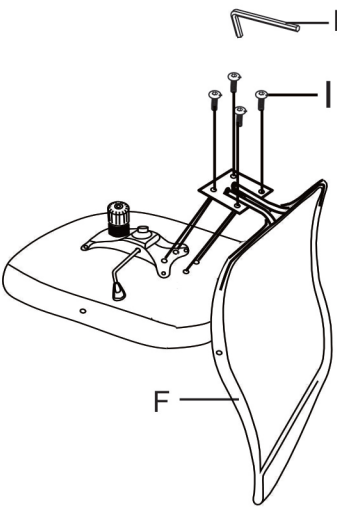



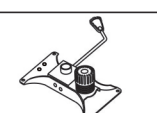





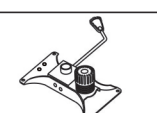





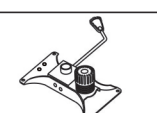


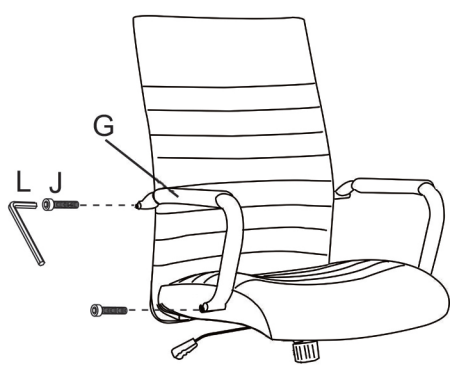
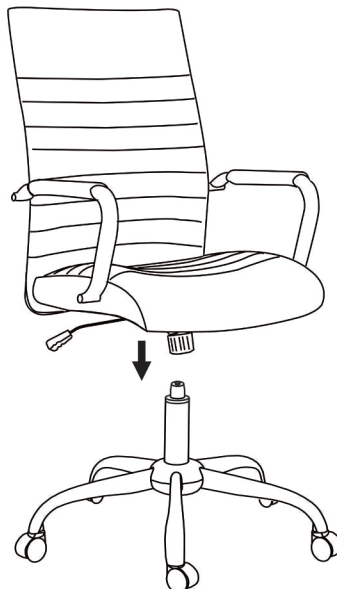




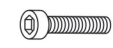





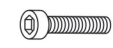





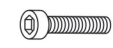




Q306

<p>1</p> 	<p>2</p> 	<p>3</p> 	<table border="1"> <tbody> <tr> <td>A</td> <td></td> <td>1PC</td> </tr> <tr> <td>B</td> <td></td> <td>5PCS</td> </tr> <tr> <td>C</td> <td></td> <td>1PC</td> </tr> <tr> <td>D</td> <td></td> <td>1PC</td> </tr> <tr> <td>E</td> <td></td> <td>1PC</td> </tr> <tr> <td>F</td> <td></td> <td>1PC</td> </tr> </tbody> </table>	A		1PC	B		5PCS	C		1PC	D		1PC	E		1PC	F		1PC
A		1PC																			
B		5PCS																			
C		1PC																			
D		1PC																			
E		1PC																			
F		1PC																			
<p>4</p> 	<p>5</p> 	<p>6</p> 	<table border="1"> <tbody> <tr> <td>G</td> <td></td> <td>1PAIR</td> </tr> <tr> <td>H</td> <td> M6*20mm</td> <td>4PCS</td> </tr> <tr> <td>I</td> <td> M6*25mm</td> <td>4PCS</td> </tr> <tr> <td>J</td> <td> M8*50mm</td> <td>4PCS</td> </tr> <tr> <td>K</td> <td></td> <td>1PC</td> </tr> <tr> <td>L</td> <td></td> <td>1PC</td> </tr> </tbody> </table>	G		1PAIR	H	 M6*20mm	4PCS	I	 M6*25mm	4PCS	J	 M8*50mm	4PCS	K		1PC	L		1PC
G		1PAIR																			
H	 M6*20mm	4PCS																			
I	 M6*25mm	4PCS																			
J	 M8*50mm	4PCS																			
K		1PC																			
L		1PC																			