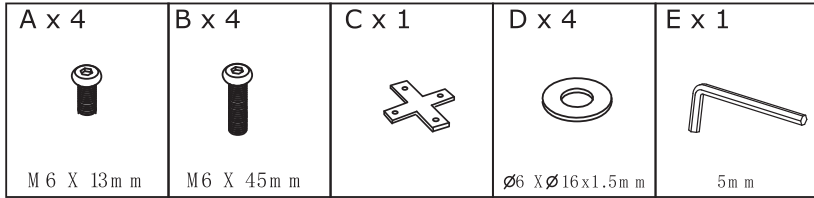
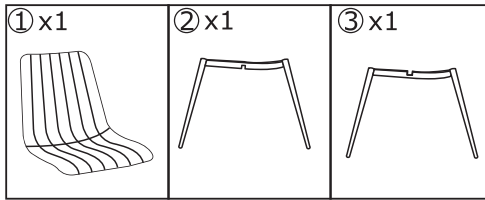
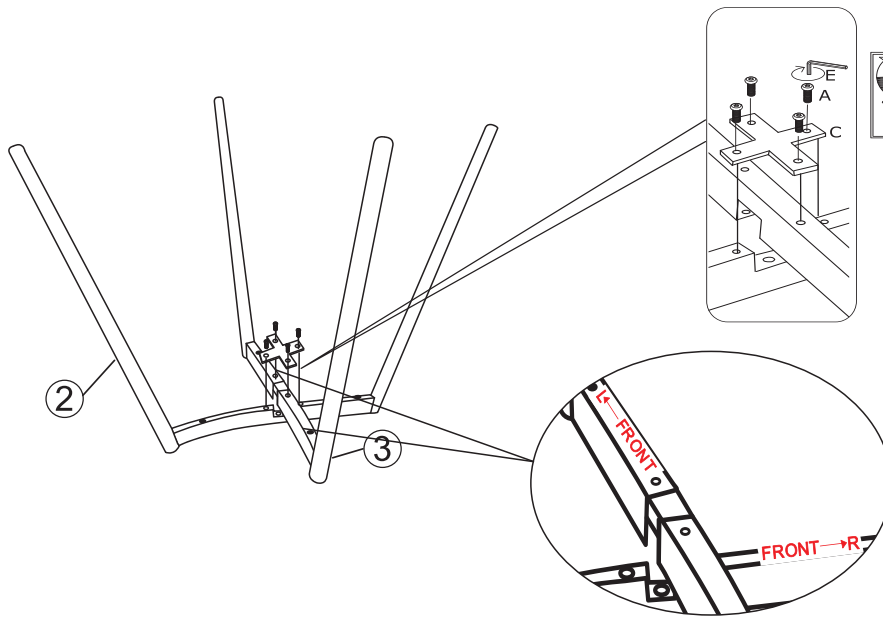


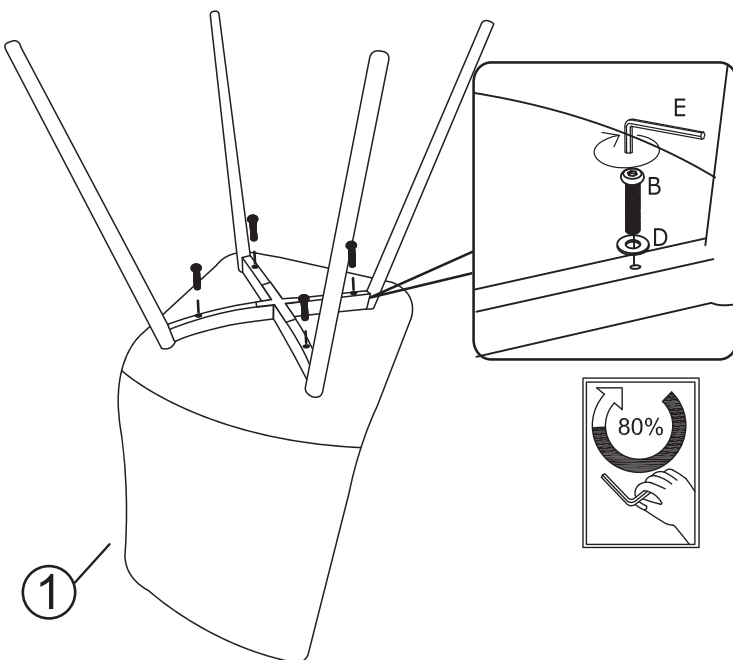
# ALAN



1



2



3

Put the chair onto flat place , fully tight all the screws after well adjusted flatness of the chair.

