

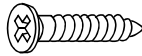
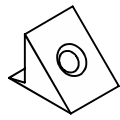
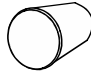
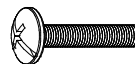
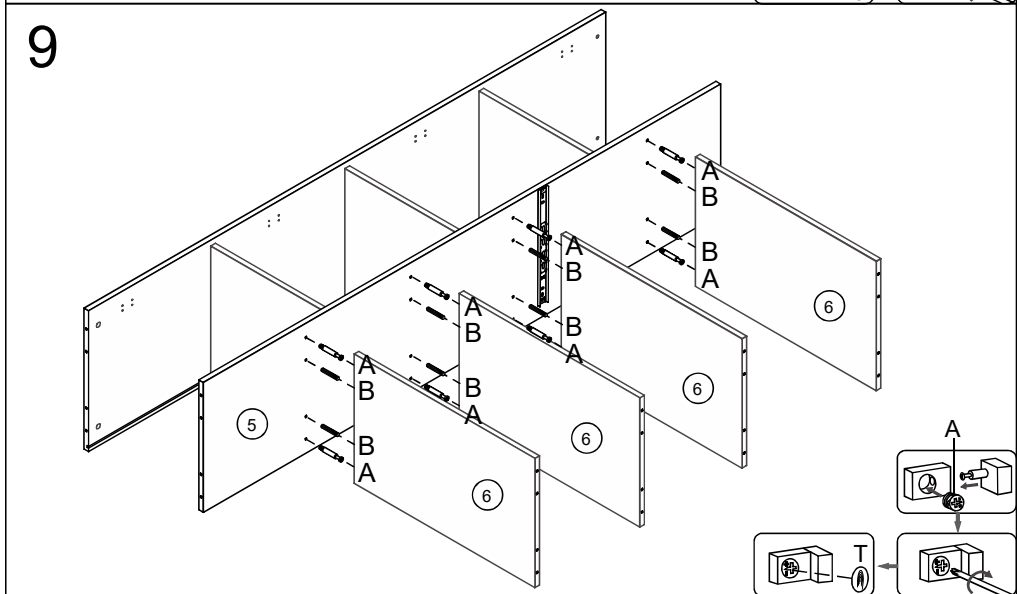
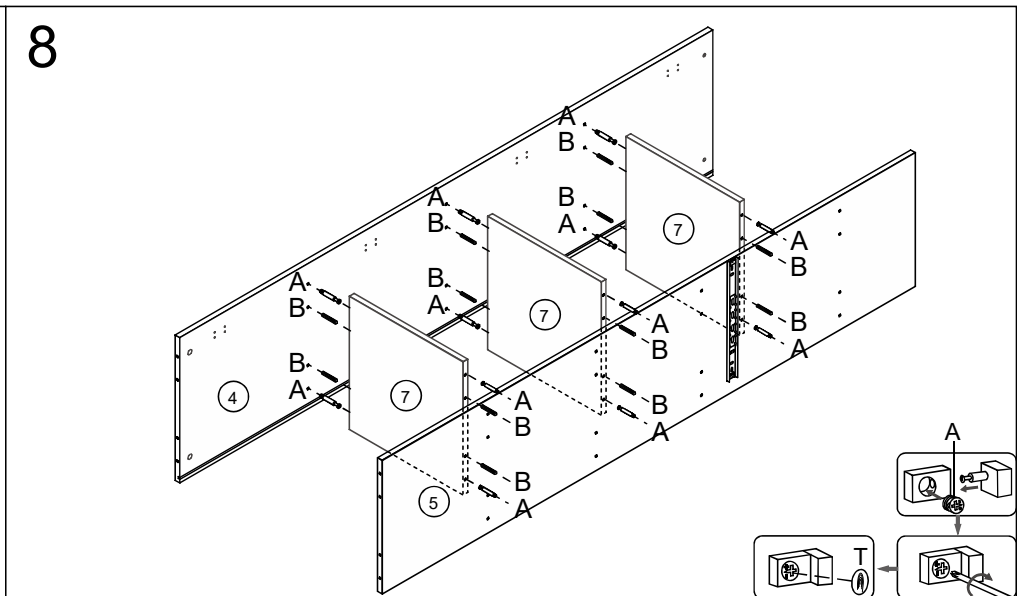
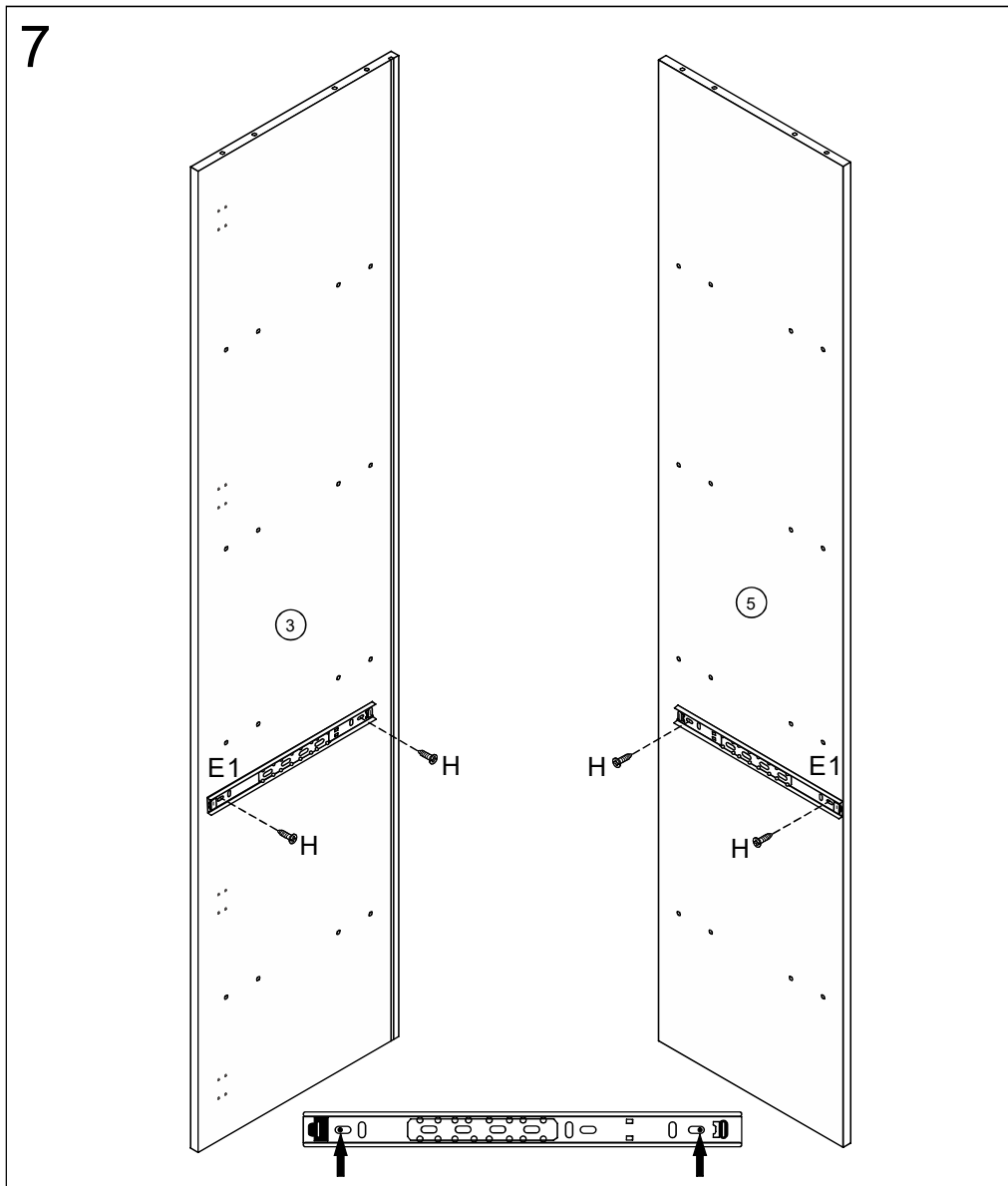
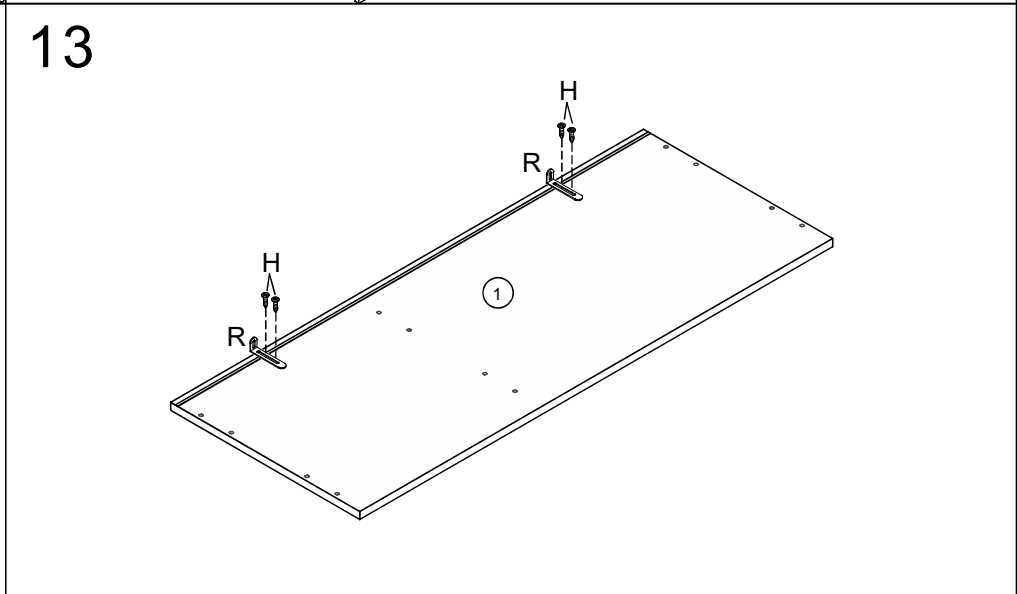
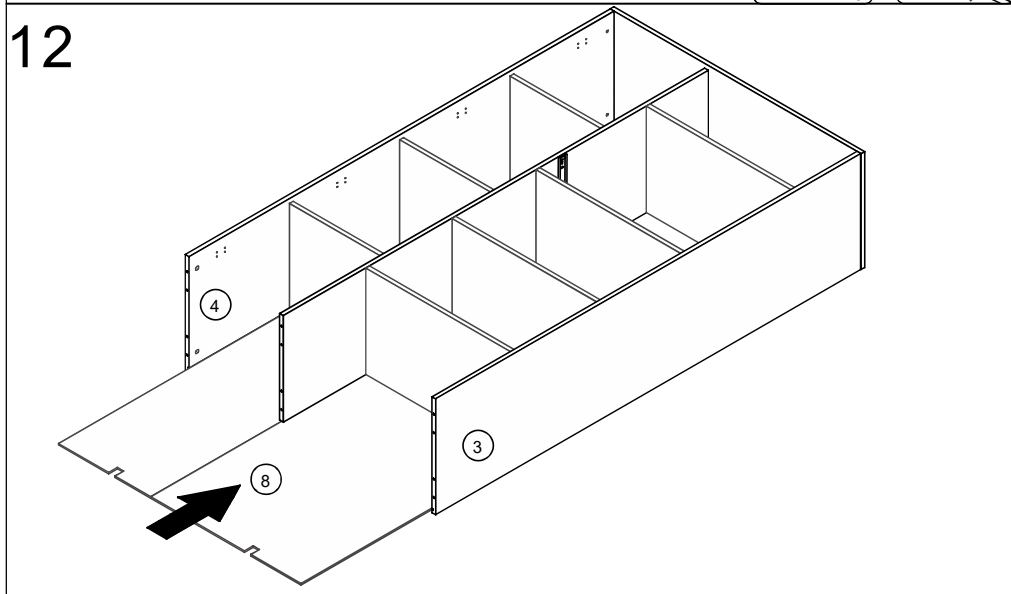
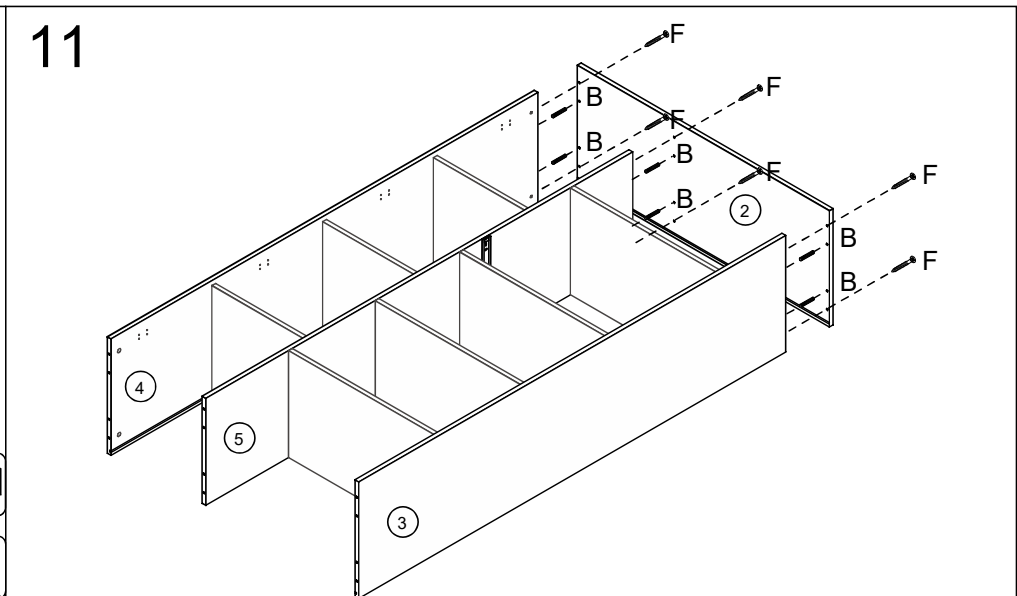
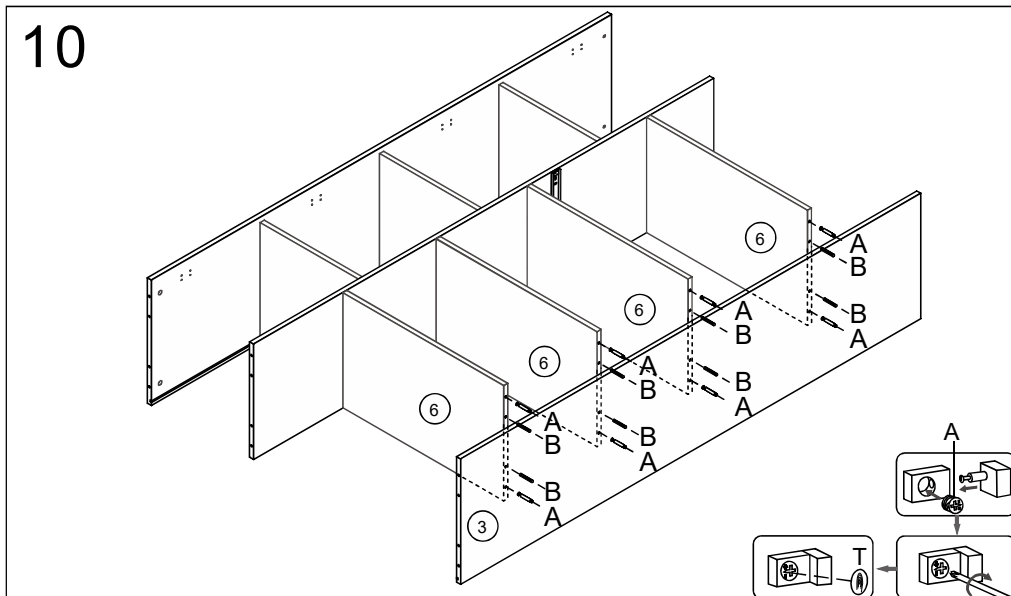
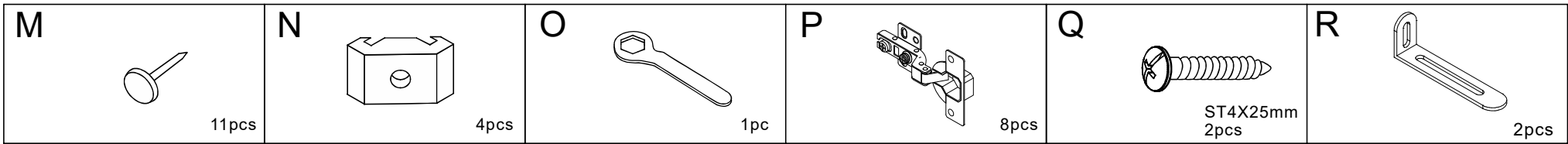
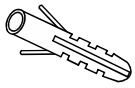

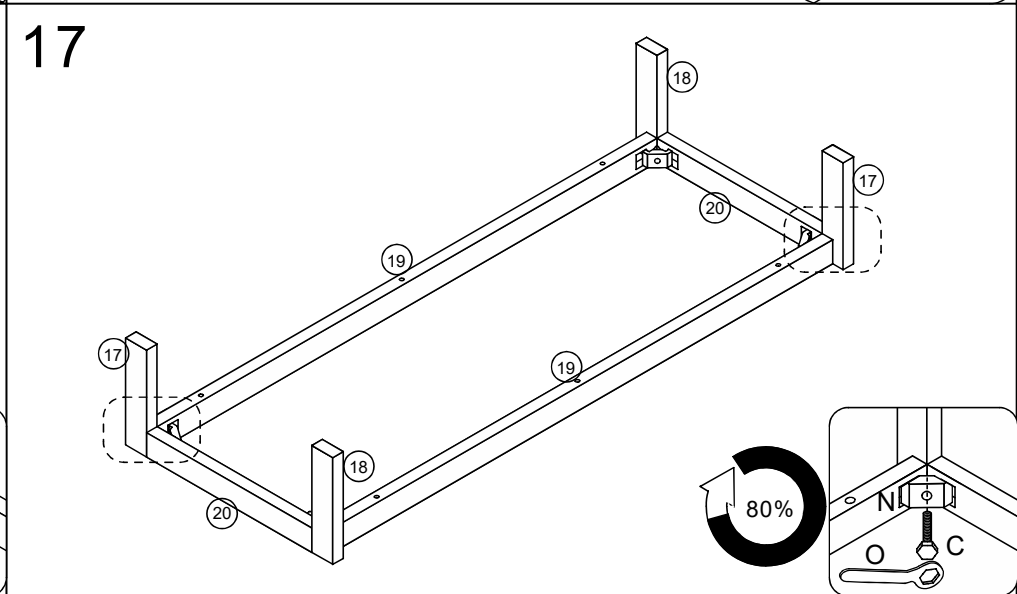
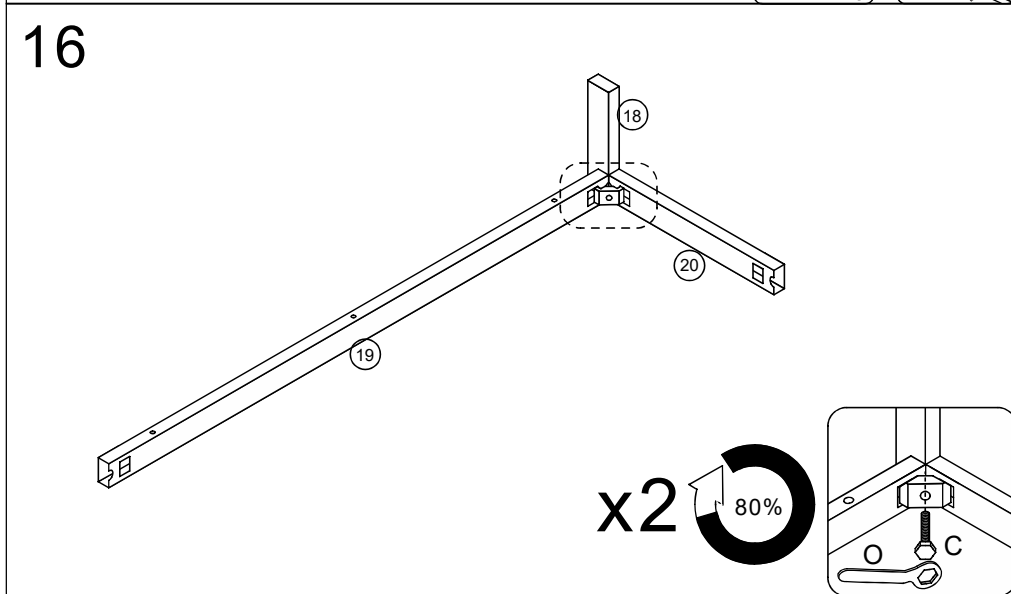
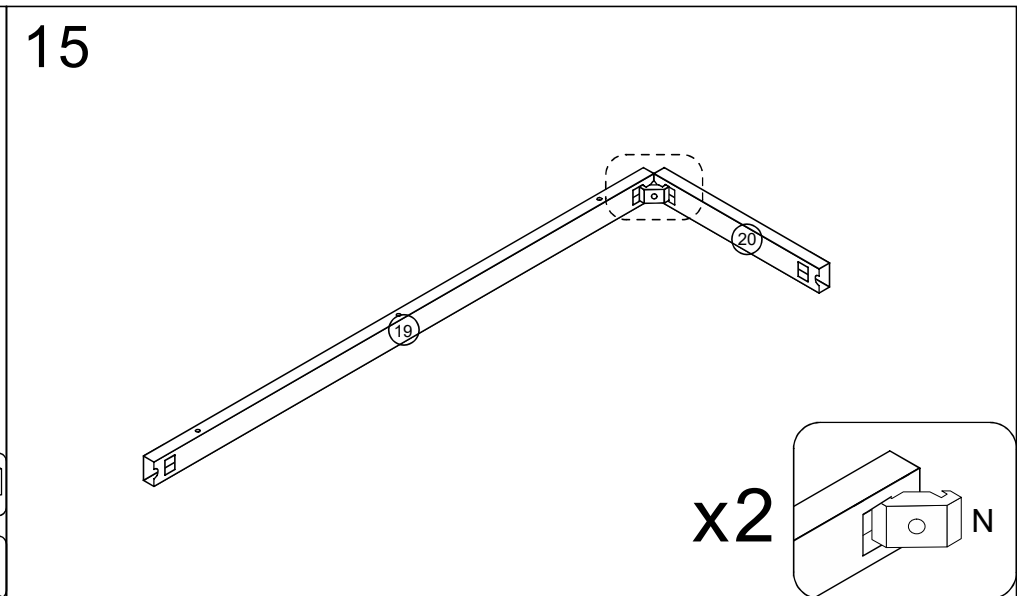
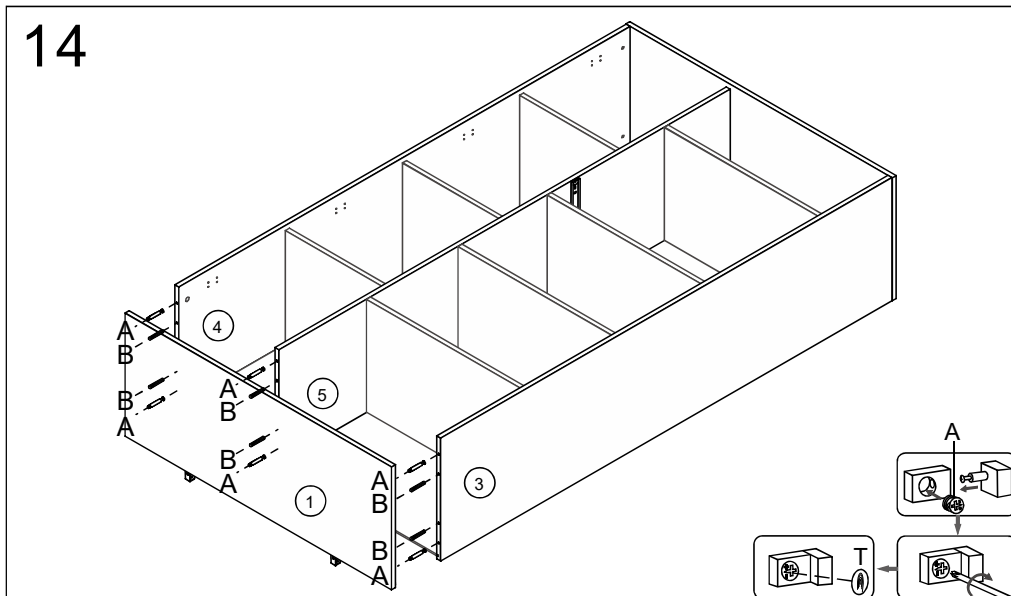


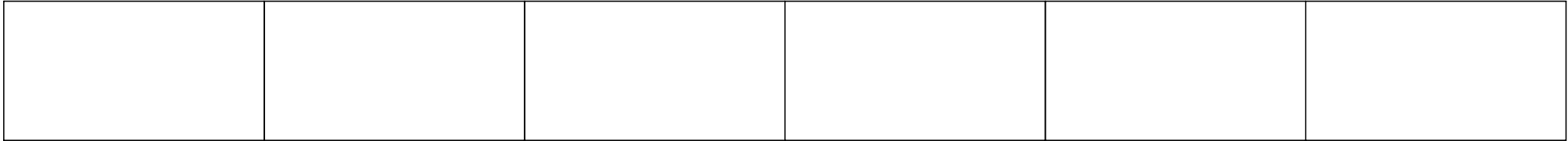
<p>G</p>  <p>ST4X35mm 4pcs</p>	<p>H</p>  <p>ST3. 5X12mm 60pcs</p>	<p>I</p>  <p>ST3. 5X18mm 12pcs</p>	<p>J</p>  <p>12pcs</p>	<p>K</p>  <p>4pcs</p>	<p>L</p>  <p>M4X20mm 4pcs</p>
--	--	---	--	---	---



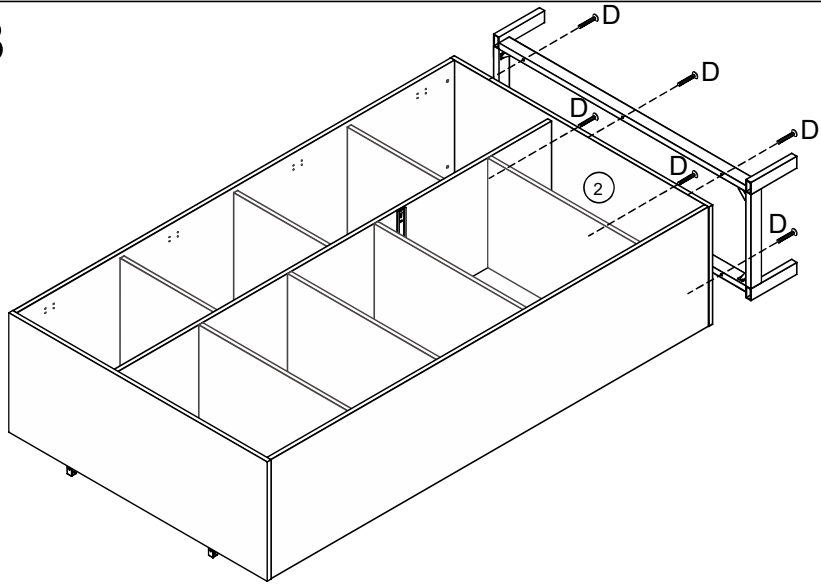


<p>S</p>  <p>2pcs</p>	<p>T</p>  <p>38pcs</p>				
---	--	--	--	--	--

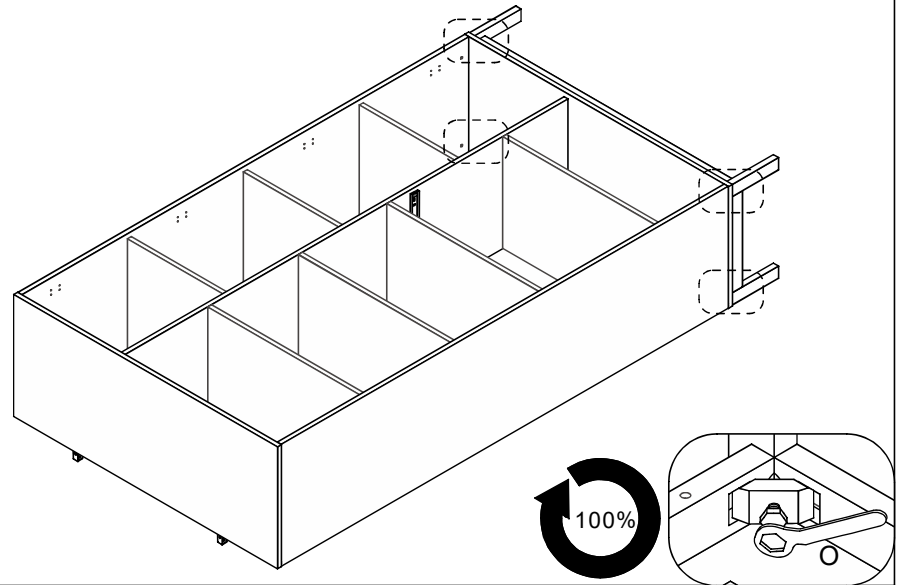




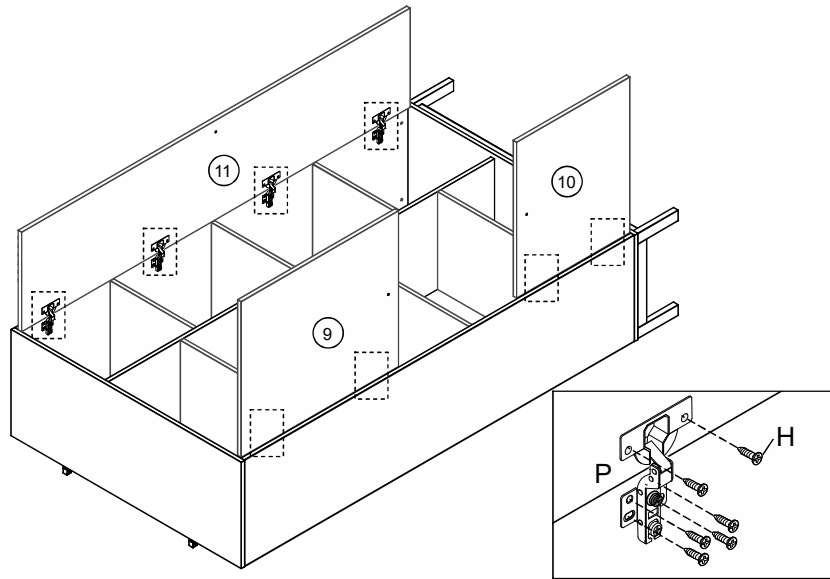
18



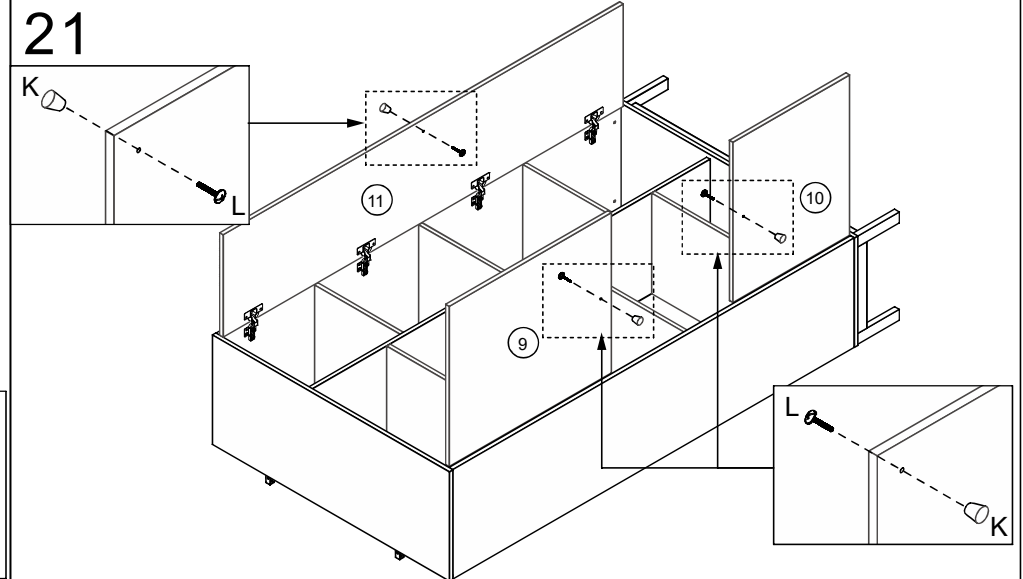
19



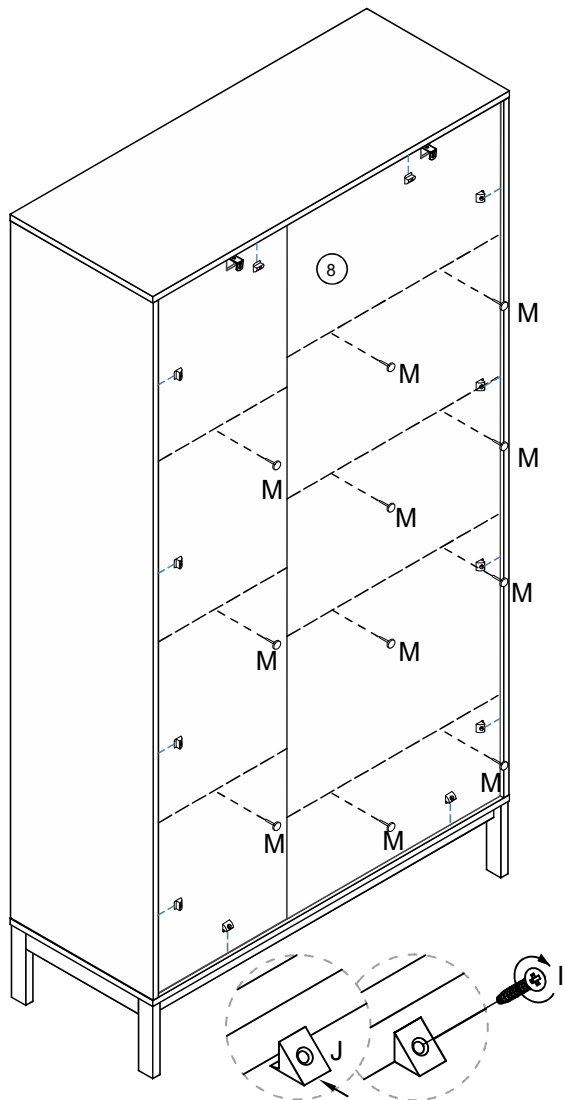
20



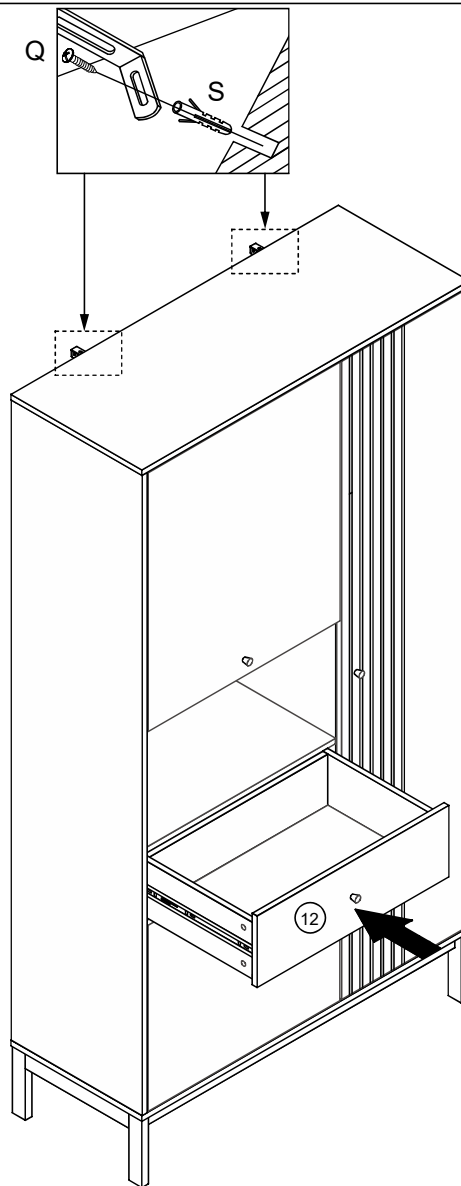
21



22



23



24

