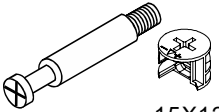
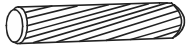
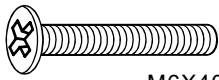

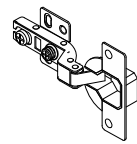
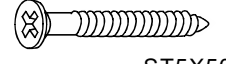
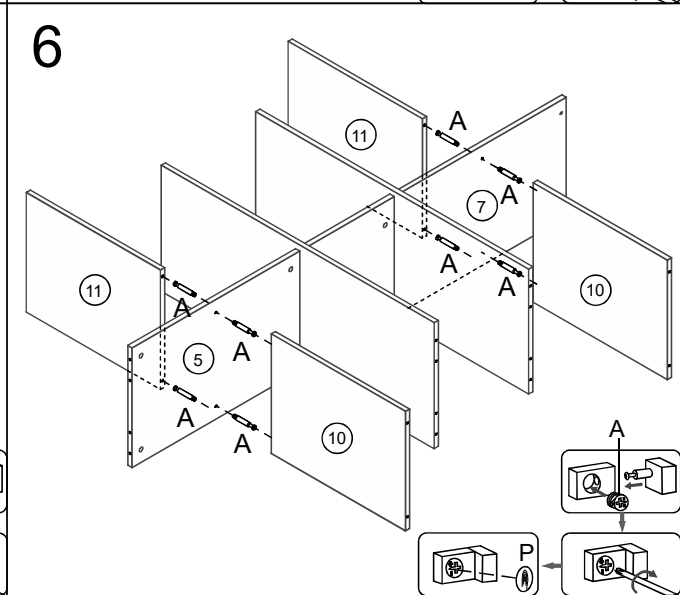
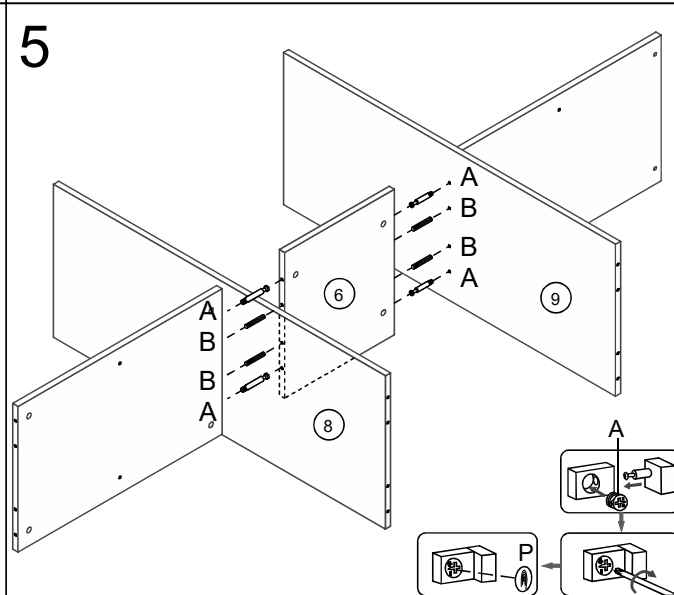
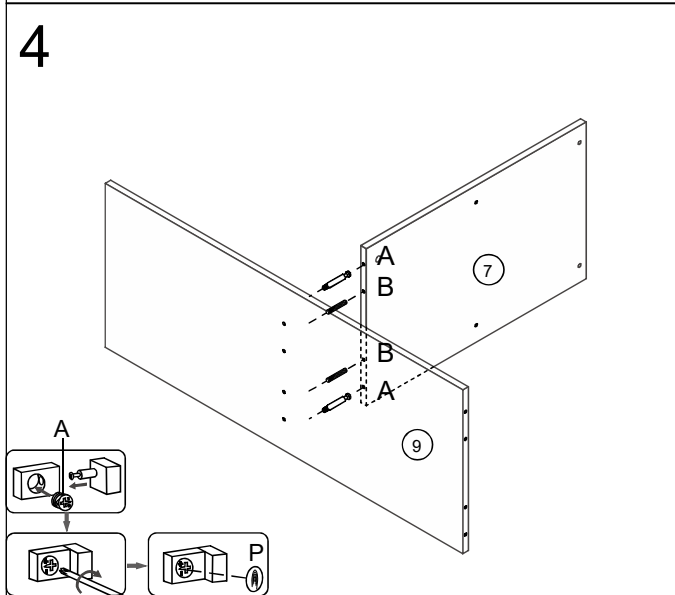
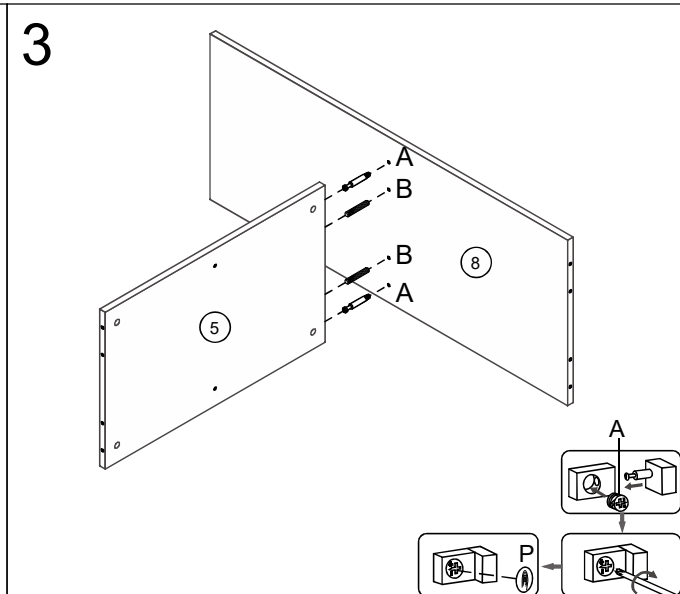
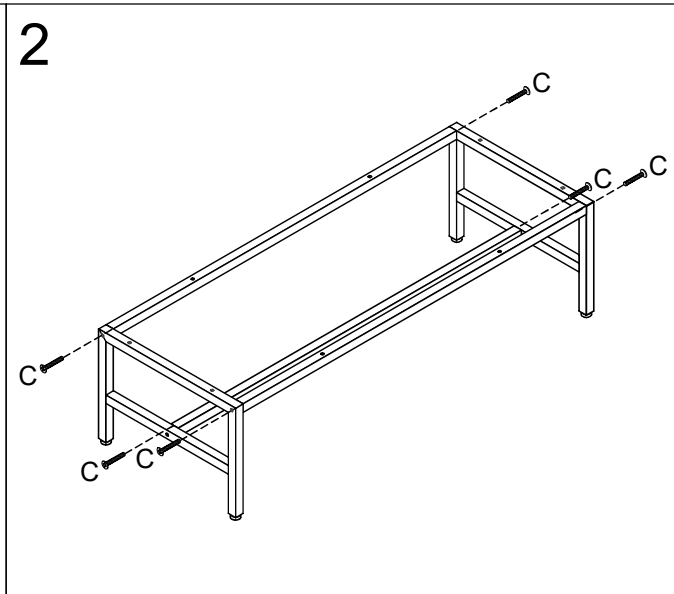
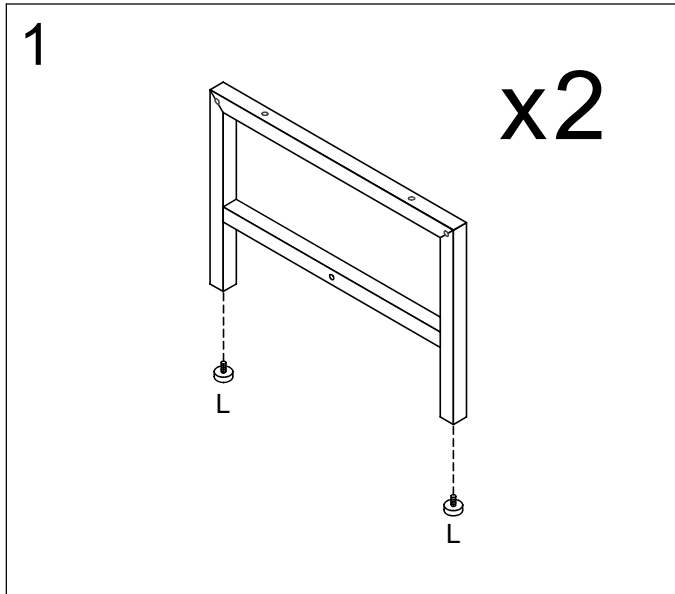
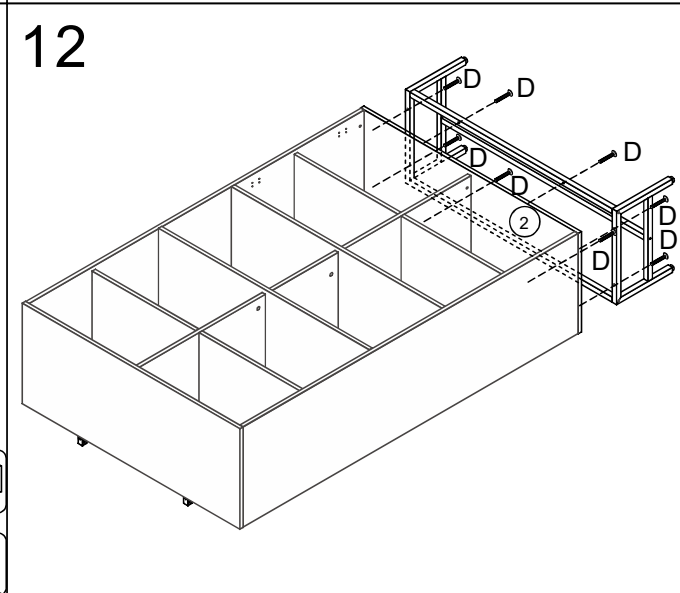
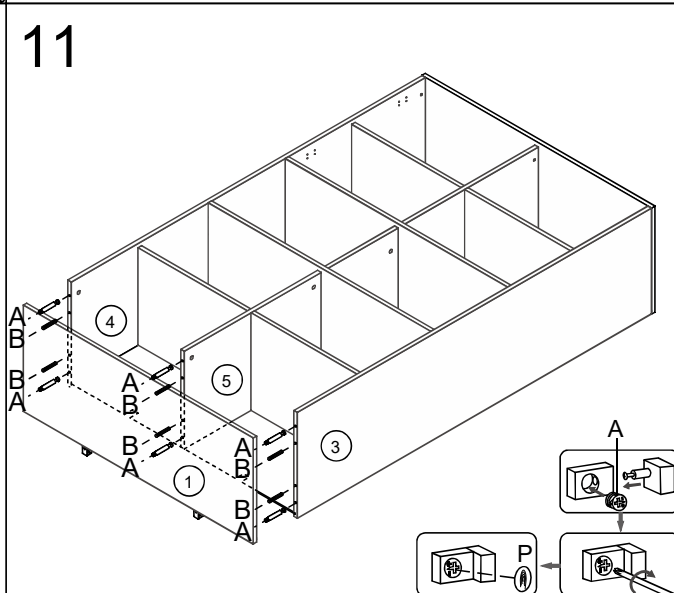
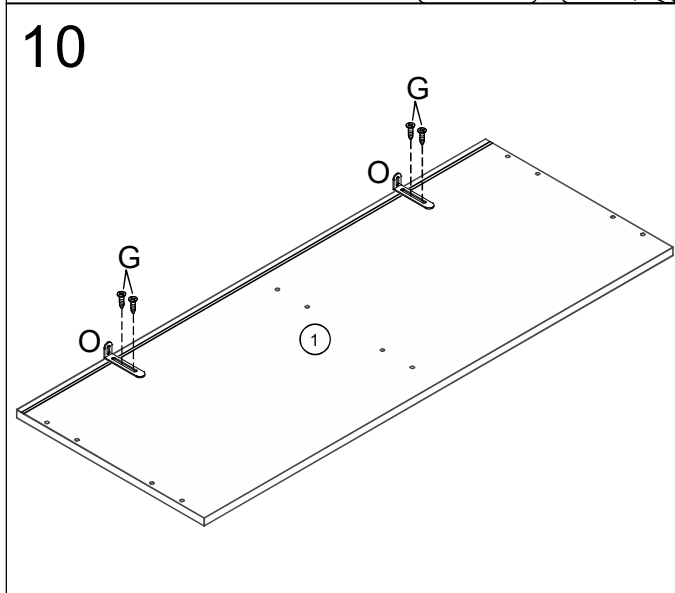
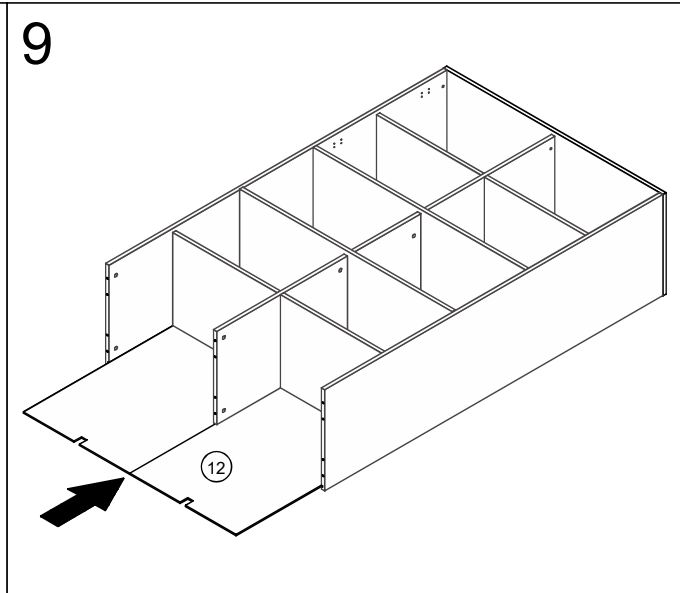
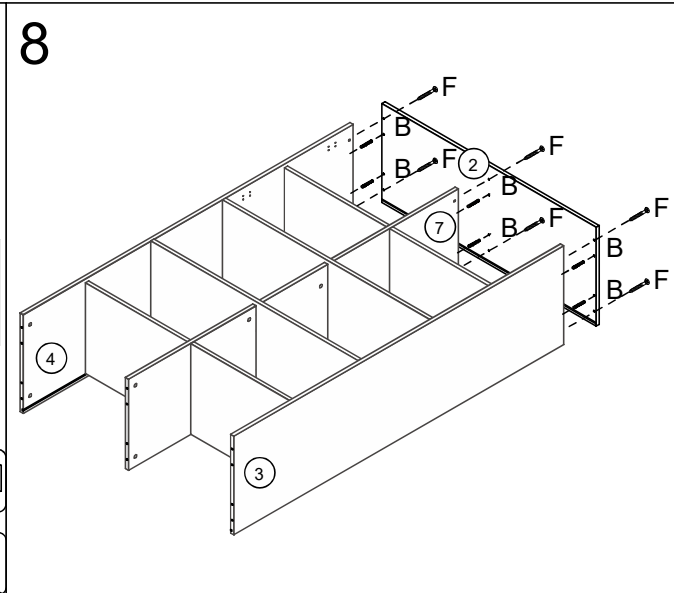
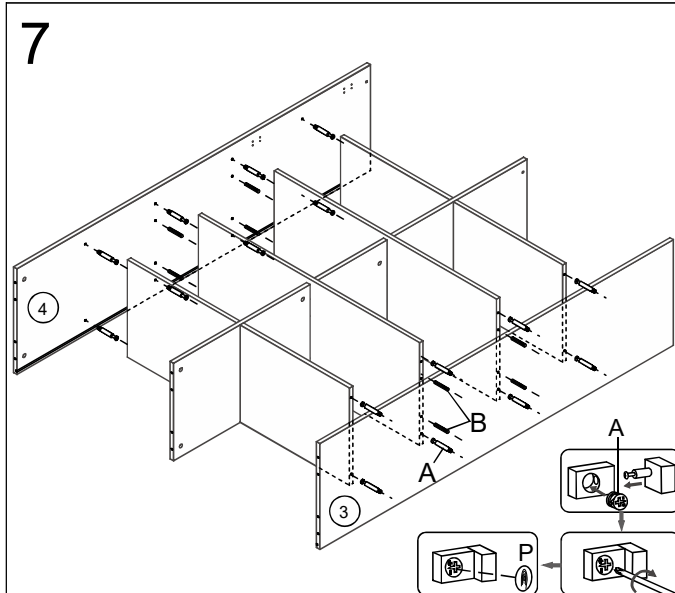
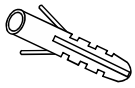
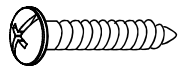
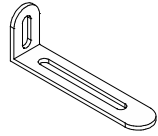



<p>A</p>  <p>15X12mm 38pcs</p>	<p>B</p>  <p>8X30mm 28pcs</p>	<p>C</p>  <p>M6X40mm 6pcs</p>	<p>D</p>  <p>M6X30mm 8pcs</p>	<p>E</p>  <p>8pcs</p>	<p>F</p>  <p>ST5X50mm 6pcs</p>
--	---	--	---	---	--



<p>G</p>  <p>ST3.5X12mm 60pcs</p>	<p>H</p>  <p>ST3.5X18mm 12pcs</p>	<p>I</p>  <p>12pcs</p>	<p>J</p>  <p>8pcs</p>	<p>K</p>  <p>4pcs</p>	<p>L</p>  <p>M8X20X10mm 4pcs</p>
---	---	---	---	---	--



<p>M</p>  <p>2pcs</p>	<p>N</p>  <p>ST4X25mm 2pcs</p>	<p>O</p>  <p>2pcs</p>	<p>P</p>  <p>38pcs</p>		
---	--	--	--	--	--

