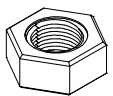


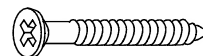
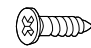
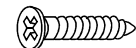
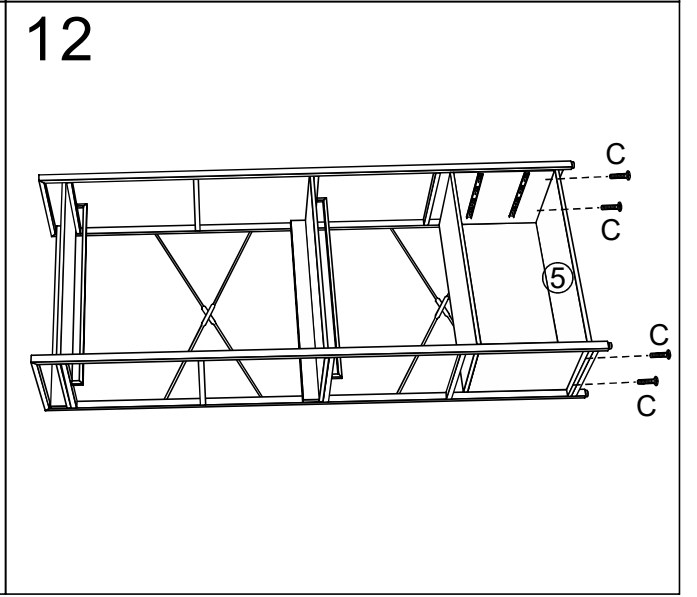
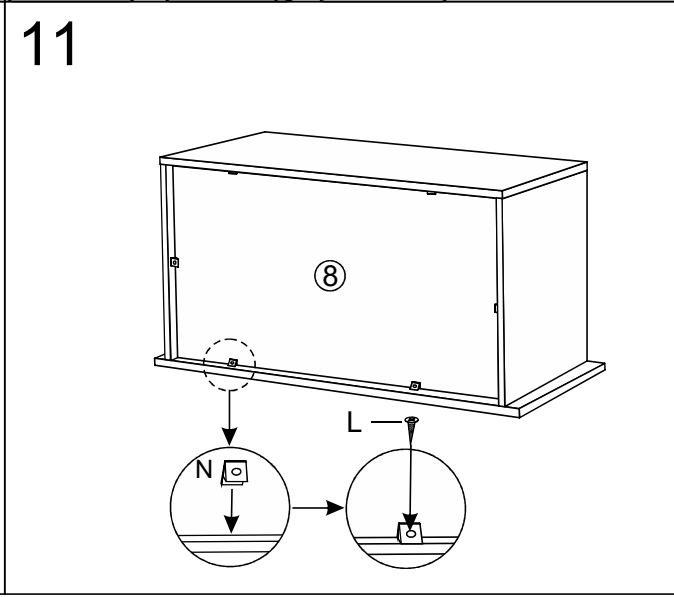
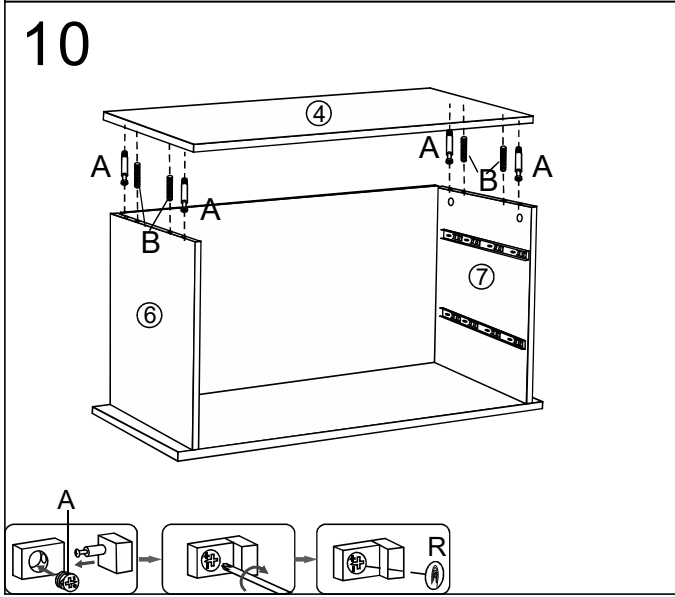
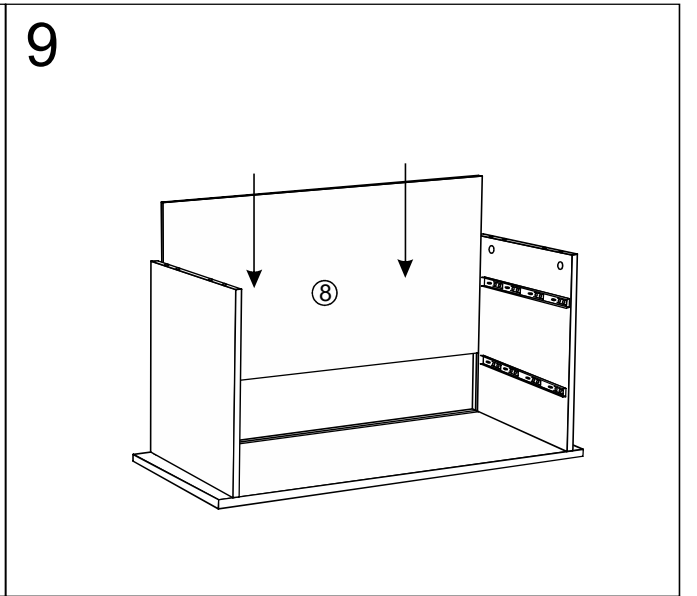
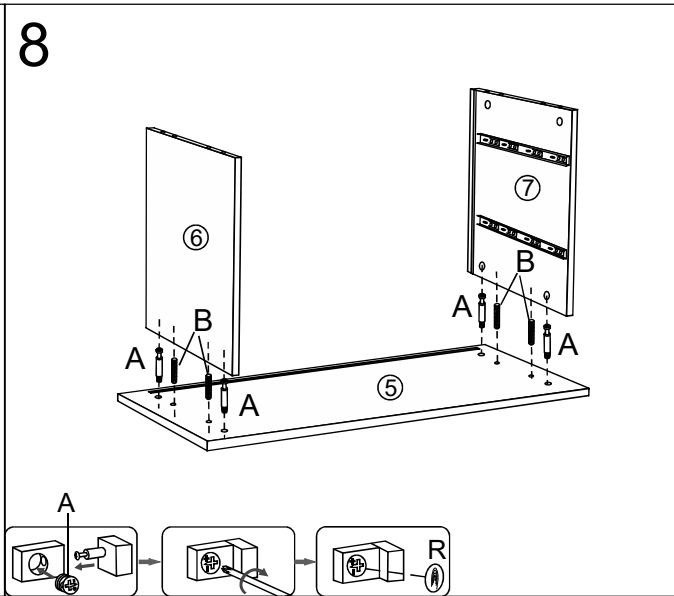
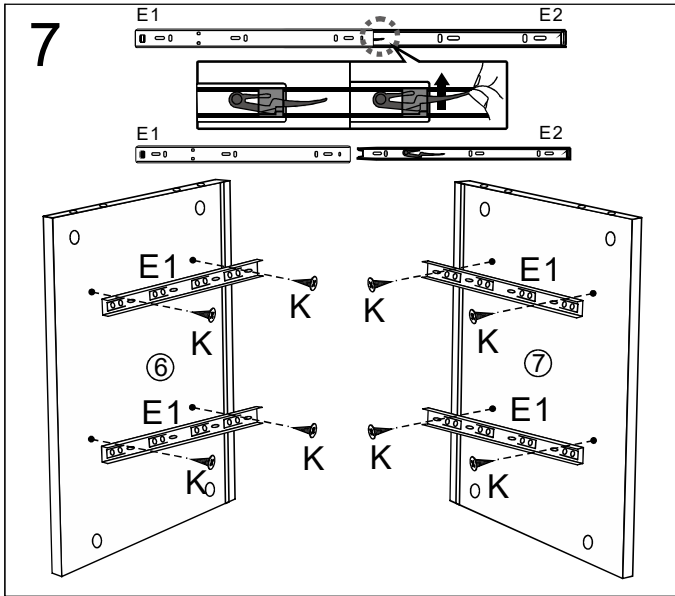
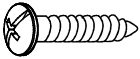
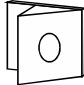
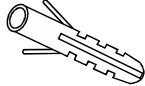
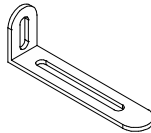
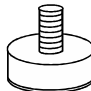



<p>G</p>  <p>M6mm 2pcs</p>	<p>H</p>  <p>M4X18mm 4pcs</p>	<p>I</p>  <p>2pcs</p>	<p>J</p>  <p>ST5X50mm 12pcs</p>	<p>K</p>  <p>ST3.5X14mm 20pcs</p>	<p>L</p>  <p>ST3.5X18mm 6pcs</p>
--	---	--	---	---	--



<p>M</p>  <p>ST4X25mm 2pcs</p>	<p>N</p>  <p>6pcs</p>	<p>O</p>  <p>2pcs</p>	<p>P</p>  <p>2pcs</p>	<p>Q</p>  <p>M8X20X10mm 4pcs</p>	<p>R</p>  <p>24pcs</p>
--	---	--	---	--	--

