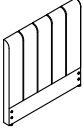
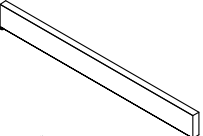
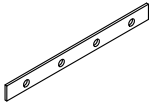
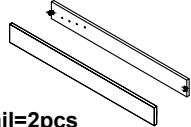

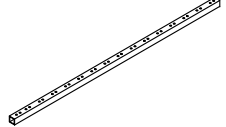
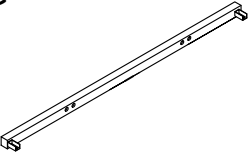
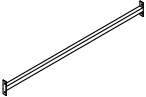




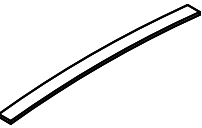


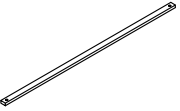










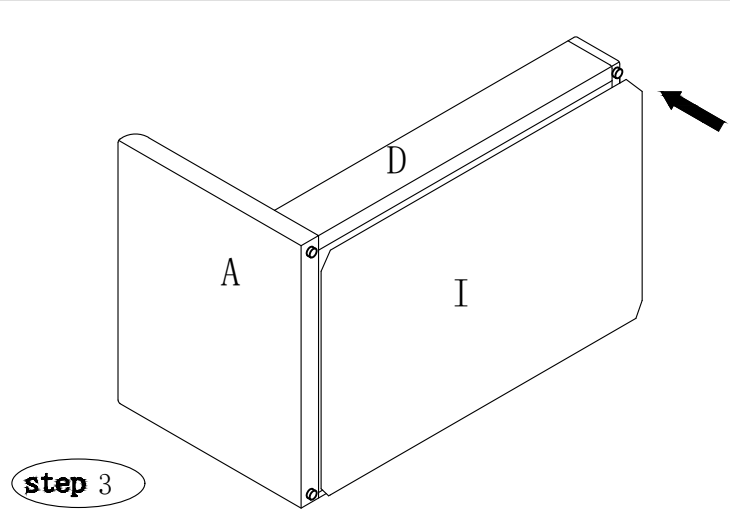
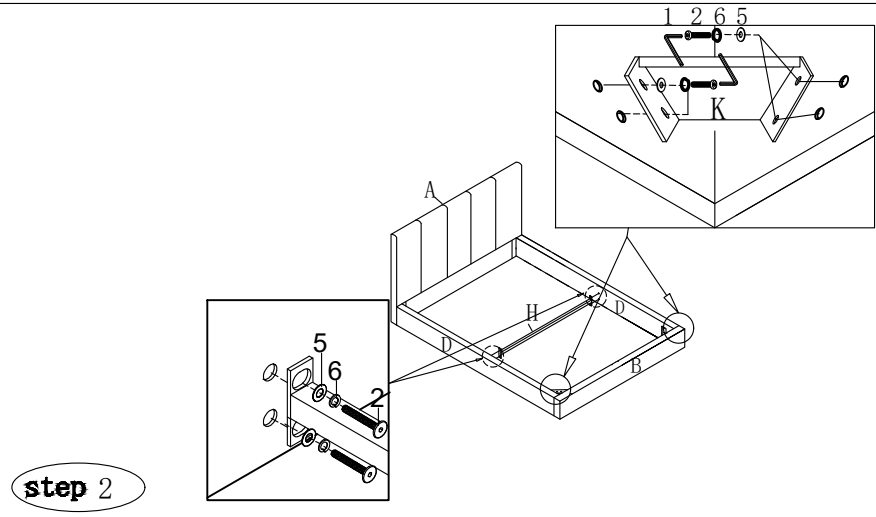
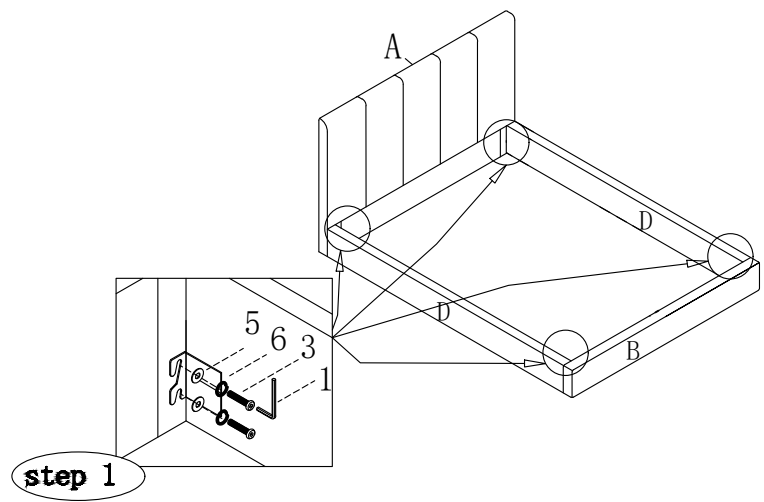


## PARTS LIST:

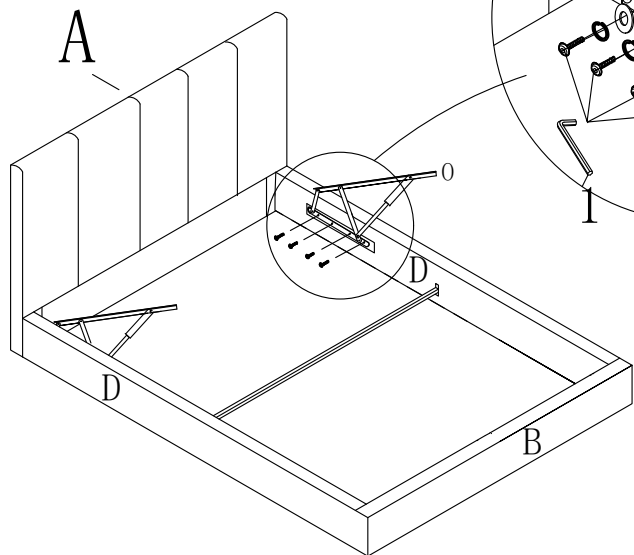
<p><b>A</b></p>  <p><b>Headboard=1pc</b></p>	<p><b>B</b></p>  <p><b>Footboard=1pc</b></p>	<p><b>C</b></p>  <p>Supporting block on SR=2PCS</p>
<p><b>D</b></p>  <p><b>Siderail=2pcs</b></p>	<p><b>E</b></p>  <p><b>Support block on footboard=1PC</b></p>	<p><b>F</b></p>  <p><b>Metal side support rail=2PCS</b></p>
<p><b>G</b></p>  <p><b>Support block on headboard=1PC</b></p>	<p><b>H</b></p>  <p><b>Metal Centre cross rail=1PC</b></p>	<p><b>I</b></p>  <p><b>Non-woven fabric=1PC</b></p>
<p><b>J</b></p>  <p><b>Metal block=2PCS</b></p>	<p><b>K</b></p>  <p><b>Metal corner block=2PCS</b></p>	<p><b>L</b></p>  <p><b>Fabric Handle=1PC</b></p>
<p><b>M</b></p>  <p><b>Slat=16PCS</b></p>	<p><b>N</b></p>  <p><b>End cap=32PCS</b></p>	<p><b>O</b></p>  <p><b>Gas Lift Mechanism=2PCS</b></p>
<p><b>P</b></p>  <p><b>Metal Centre cross rail=1PC</b></p>		

# HARDWARE LIST:

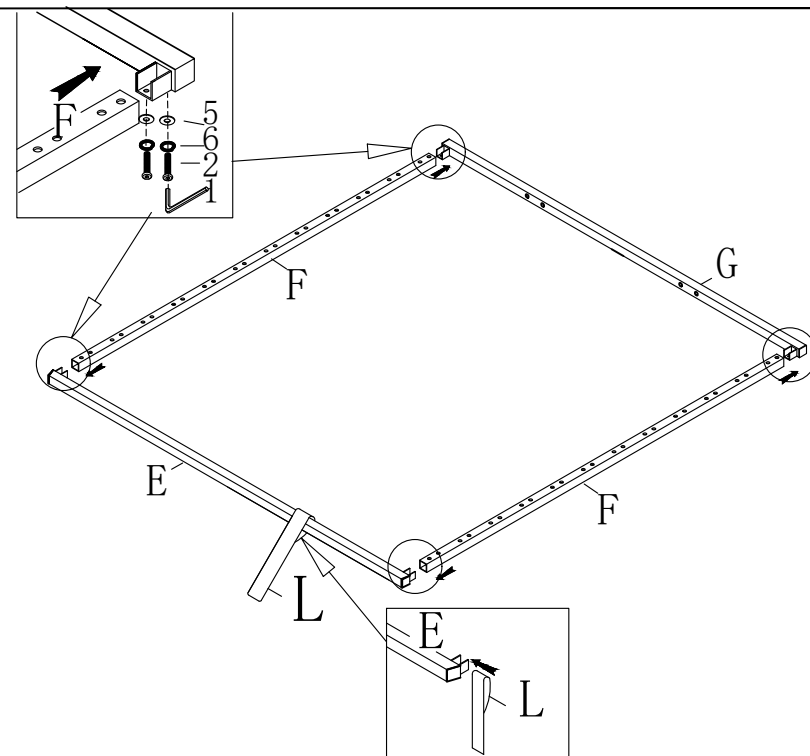
<b>1</b> Allen Key $\varnothing 5/16"$ = 1pc 	<b>2</b> Bolt $\varnothing 5/16"$ X $3/4"$ L = 20 pcs 	<b>3</b> Bolt $\varnothing 5/16"$ X $1-1/2"$ L = 16 pcs 
<b>4</b> Bolt $\varnothing 5/16"$ X $2"$ L = 4 pcs 	<b>5</b> Flat Washer $\varnothing 5/16"$ X $\varnothing 19mm$ = 48 pcs 	<b>6</b> Spring Washer = 48 pcs 
<b>7</b> Nut = 4 pcs 	<b>8</b> Wrench = 1 pc 	<b>9</b> Nut = 4 pcs 
<b>10</b> Bolt $\varnothing 5/16"$ X $1"$ L = 8 pcs 		



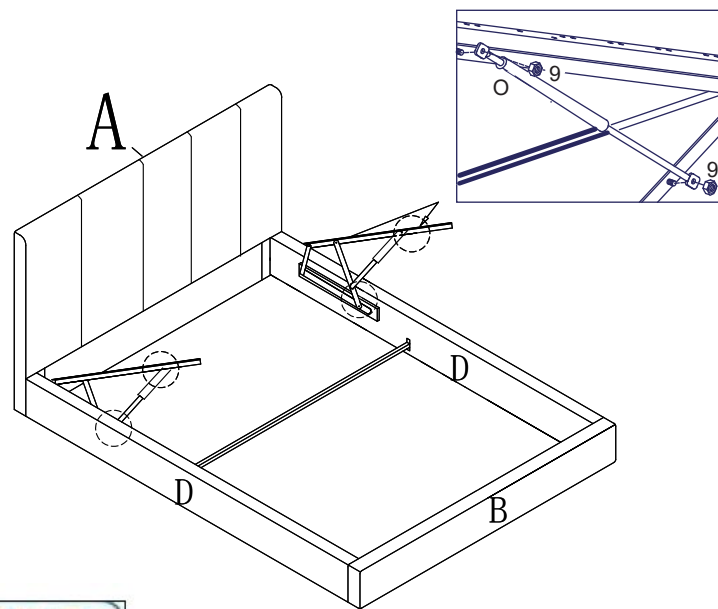
step 4



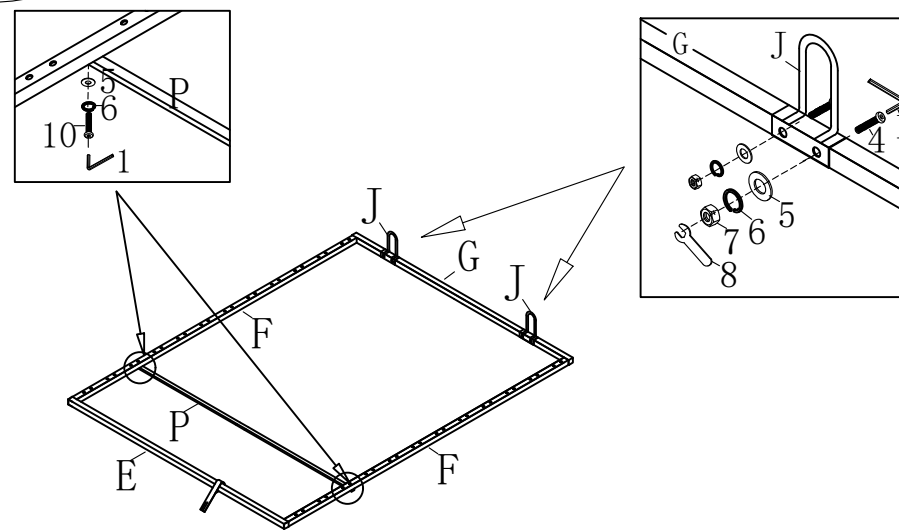
step 6



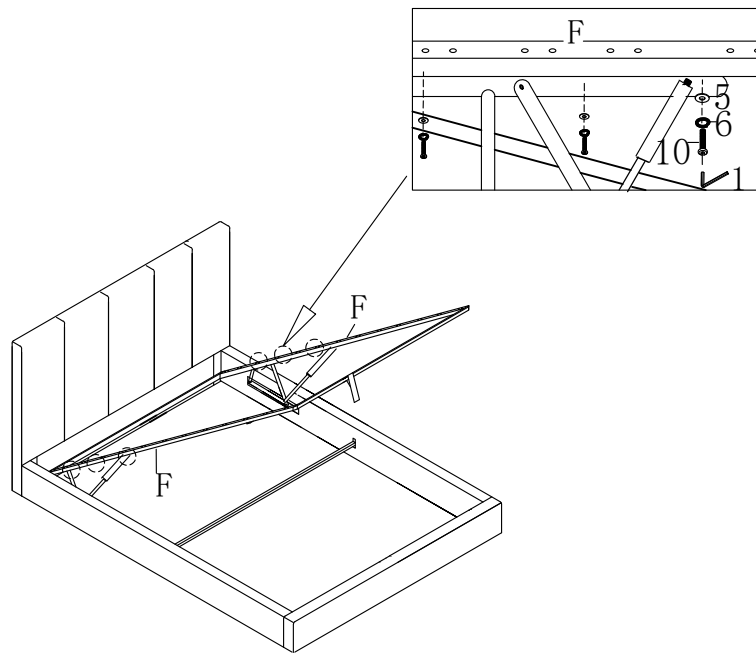
step 5



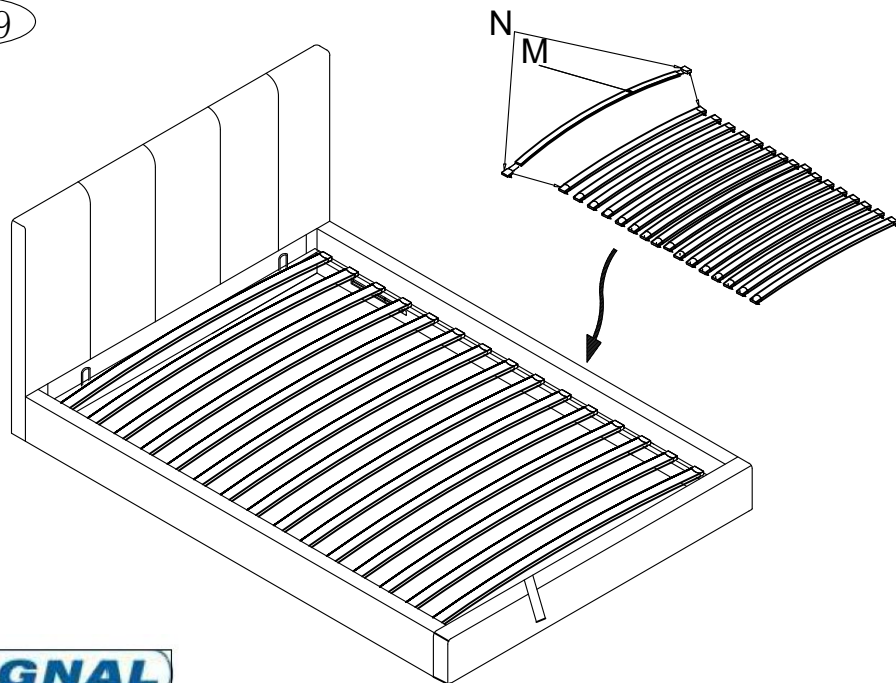
step 7



step 8



step 9



step 10

