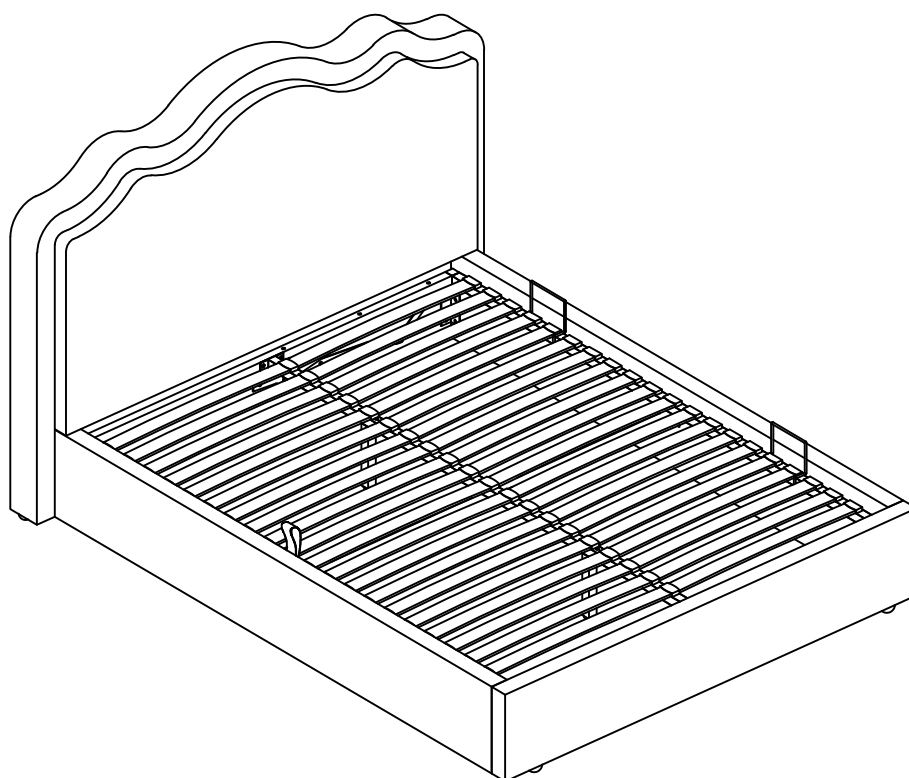
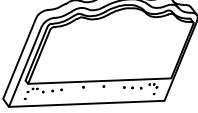
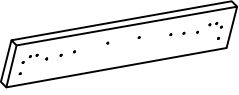

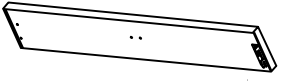
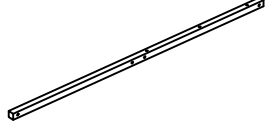
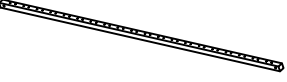

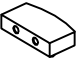

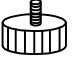

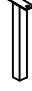
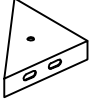

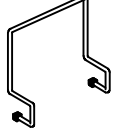





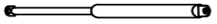
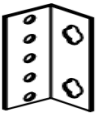


INSTRUKCJA MONTA U ASSEMBLY INSTRUCTIONS

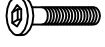






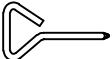
FLORENCJA -140x200 / 160x200



PART LIST/ LISTA CZ CI

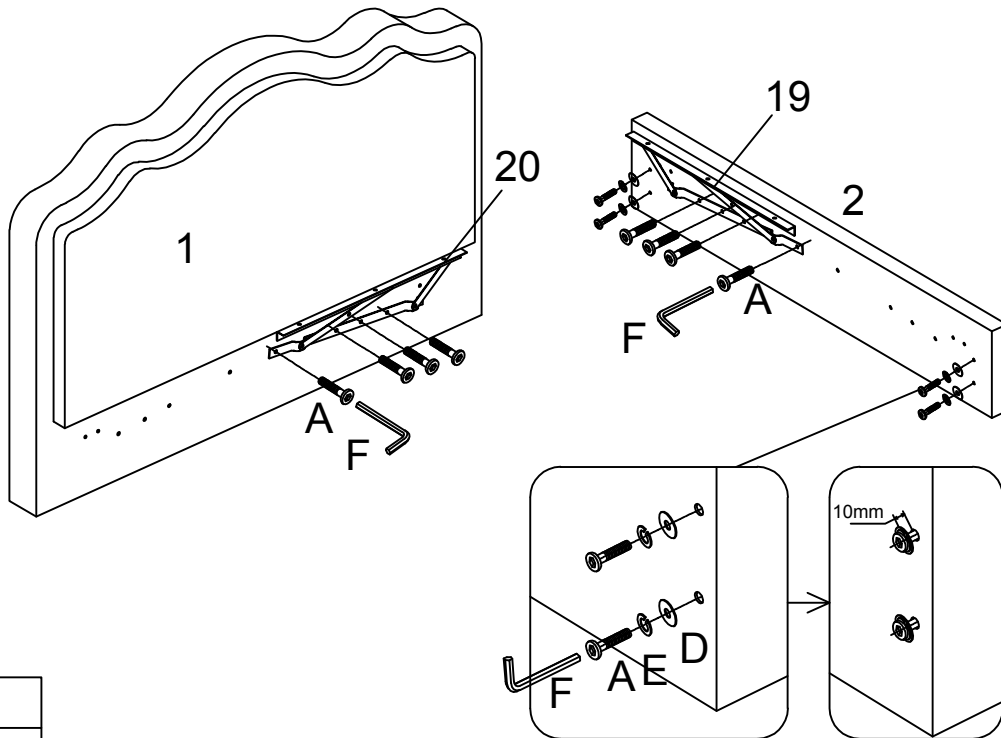
1 Headboard 1pcs 	2 Footboard 1pcs 	3 Sideboard A 1pcs 	4 Sideboard B 1pcs 
5 Cross Rail of Metal Frame 2pcs 	6 Siderail of Metal Frame 2pcs 	7 Wooden Slats 40pcs 	8 Single Plastic Cap 40pcs 
9 Double Plastic Cap 20pcs 	10 Bed Feet 4pcs 	11 Storage Frame Connector 4pcs 	12 Support Leg 2pcs 
13 Corner Angle Bracket 2pcs 	14 Non-woven Fabric 1pcs 	15 Mattress Stopper 2 pcs 	16 Center Support Bar 1pcs 
17 Digging Rope 1pcs 	18 CrossRail-Centre 1pcs 	19 Folding Mechanism (Back) 1pcs 	20 Folding Mechanism (Front) 1pcs 
21 Pneumatic Cylinder 2pcs 	22 2pcs 		

HARDWARE LIST/ WYKAZ RUB

A Bolit M8*30 32pcs 	B Bolit M8*40 14pcs 	C Nut 14pcs 	D Washer 4pcs 
E Washer 4pcs 	F Allen Key M5 1pcs 	G Socket Spanner 1pcs 	H Screwdriver 1pcs 


Step 1

Podnośnik może być otwarty z obu stron łóżka, więc przy montażu można wybrać odpowiednią stronę.



F.x1 

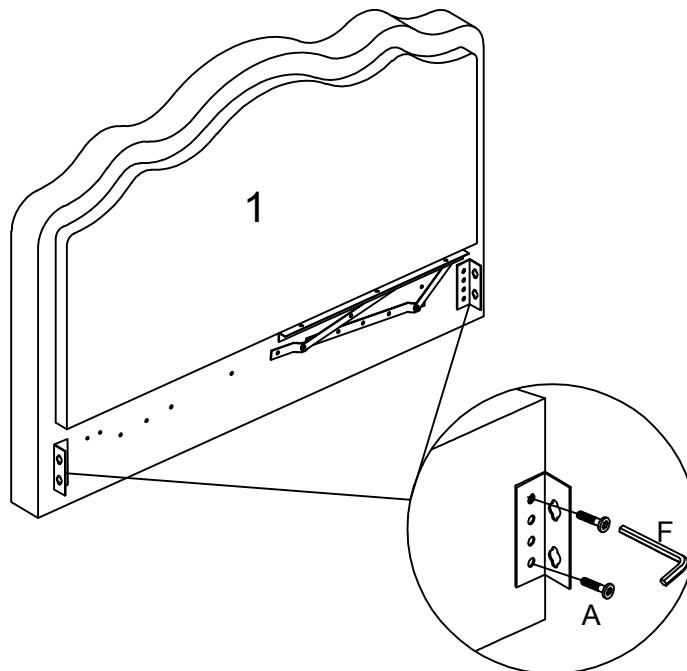
E.x4 

D.x4 

A.x12 

The gas lift can be opened on both sides of the bed, so you can assemble as per your need.

Step 2

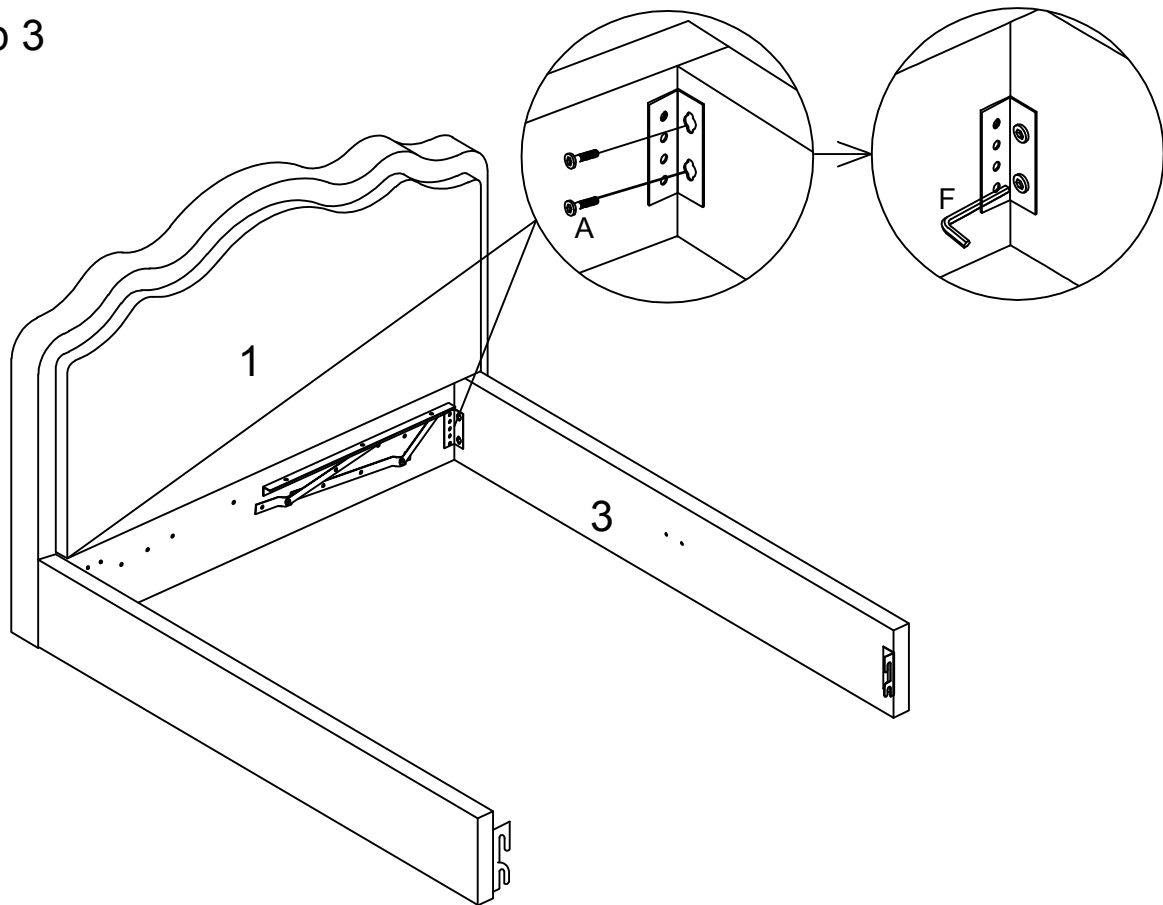


F.x1 

22.x4 

A.x4 

Step 3



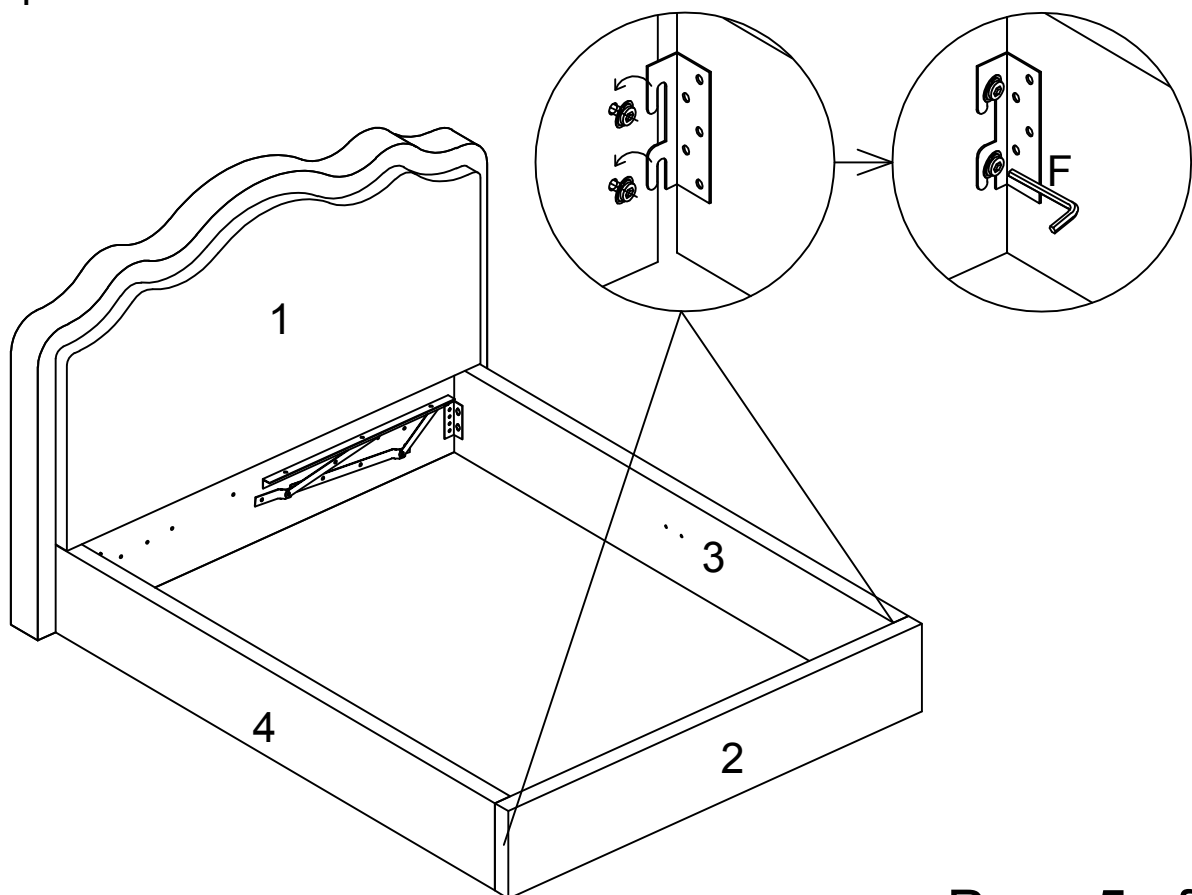
A.x4



F.x1



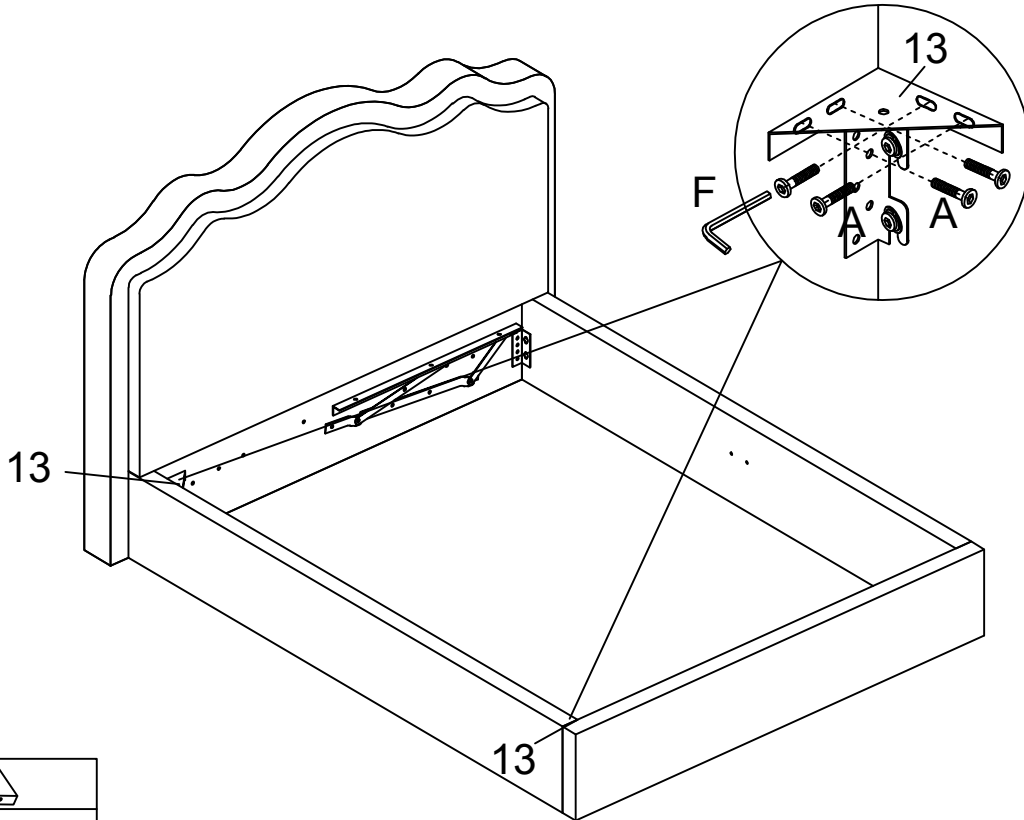
Step 4



F.x1

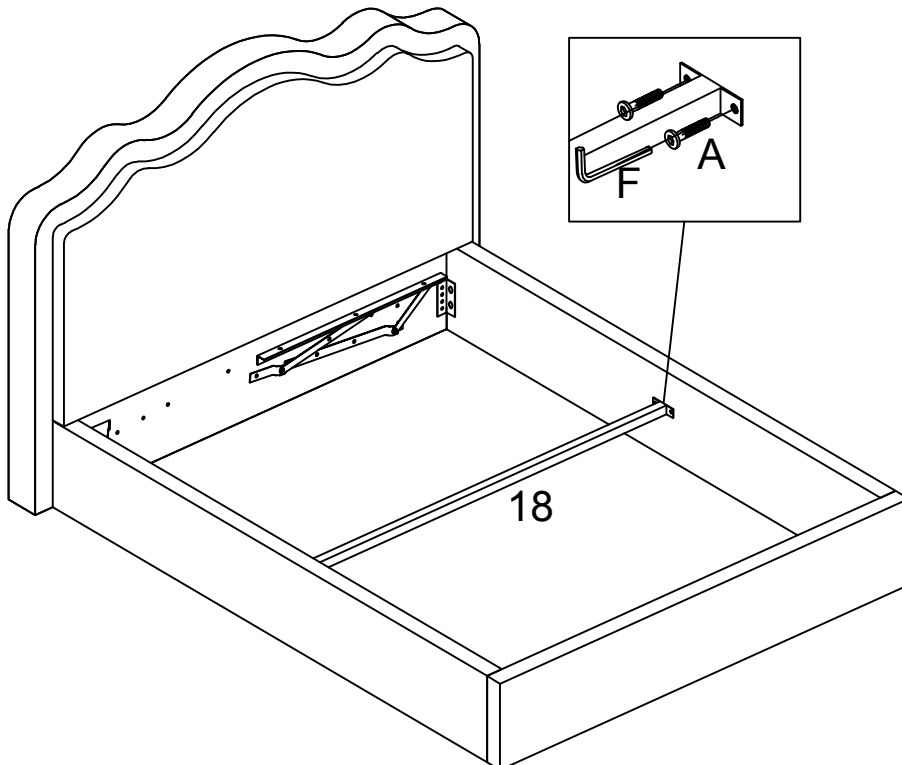


Step 5



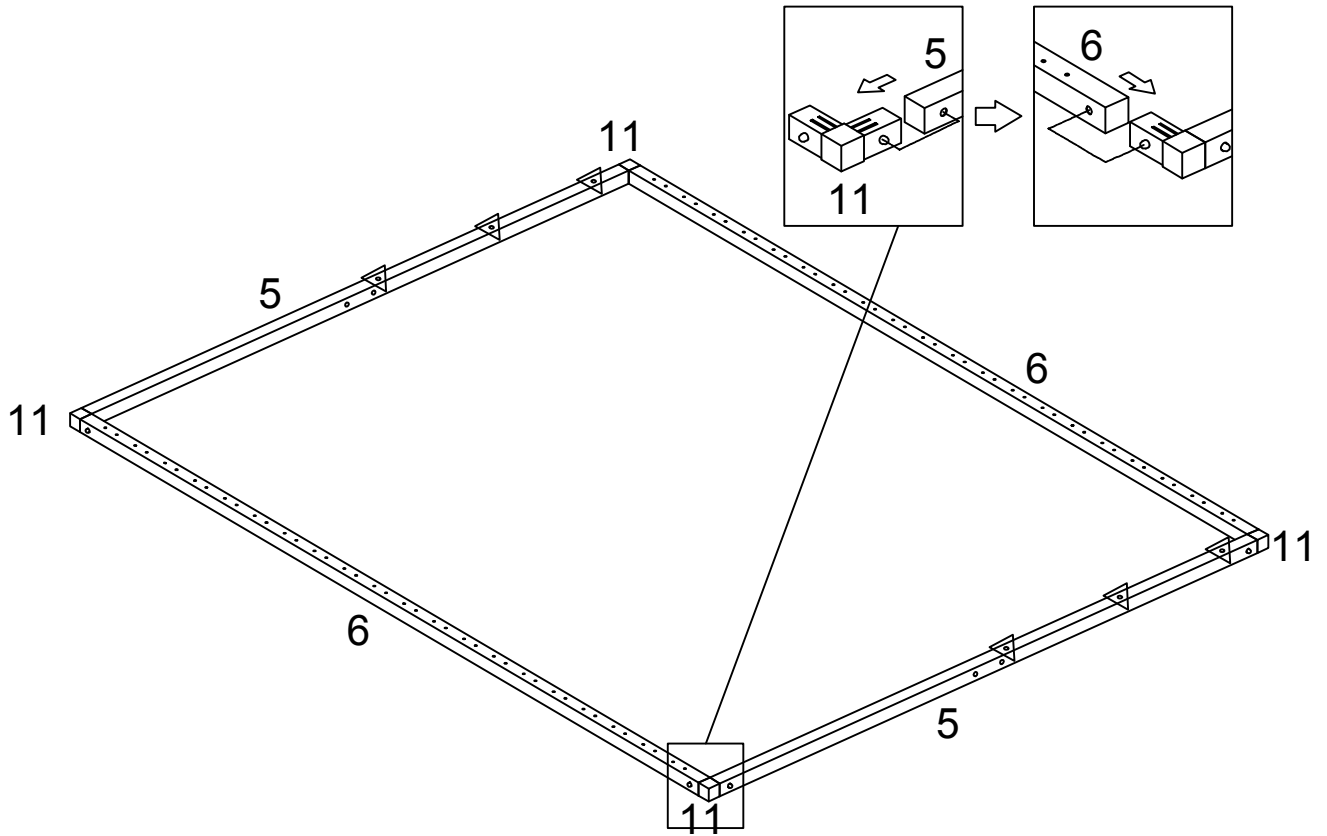
13.x2	
F.x1	
A.x8	

Step 6



F.x1	
A.x4	

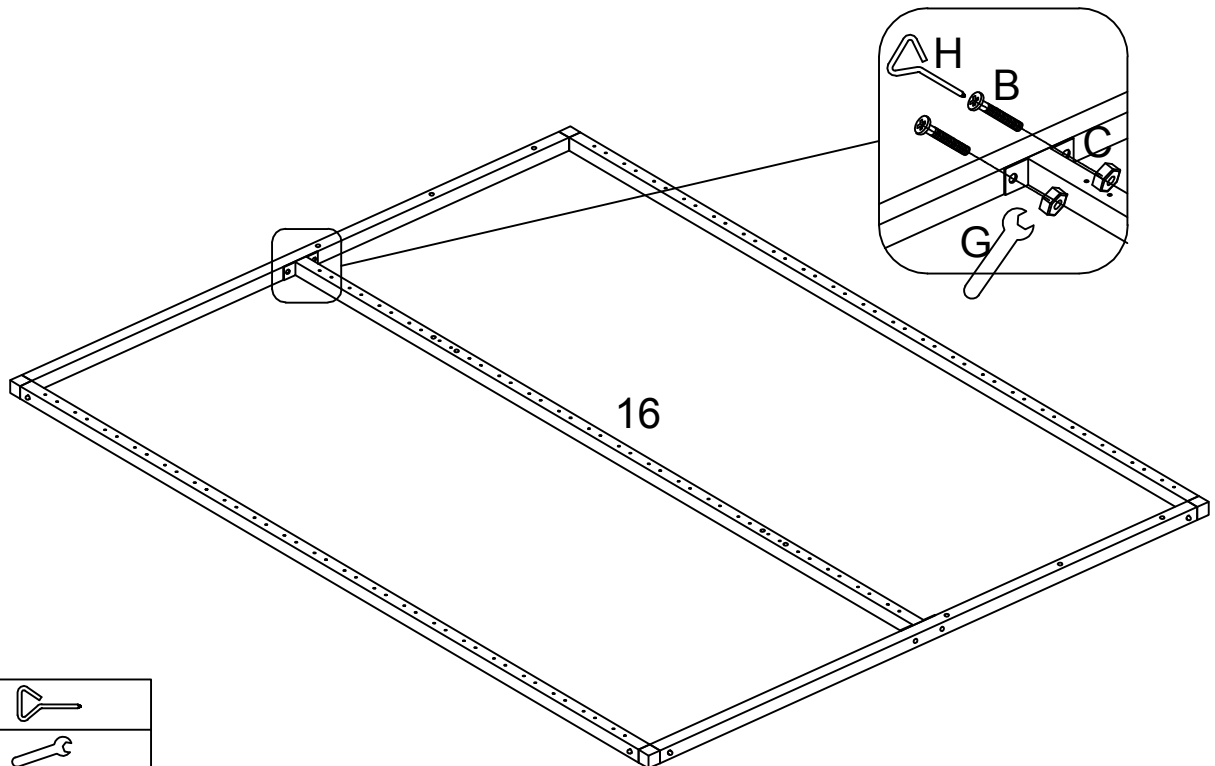
Step 7



11.x4



Step 8



H.x1



G.x1



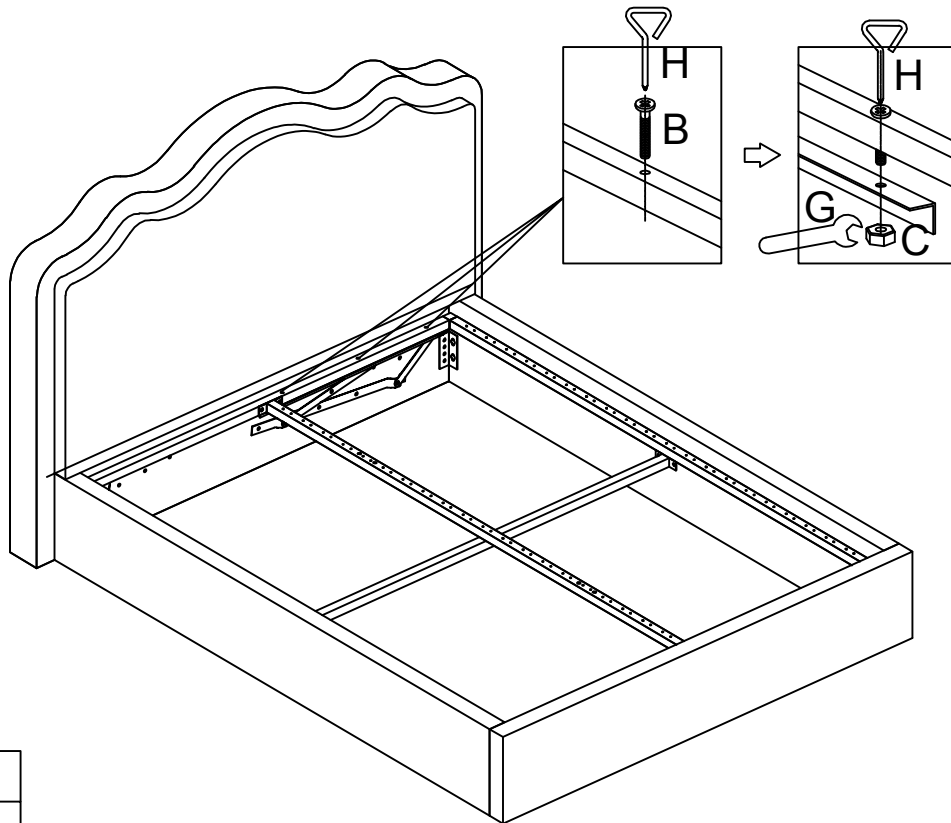
C.x4



B.x4

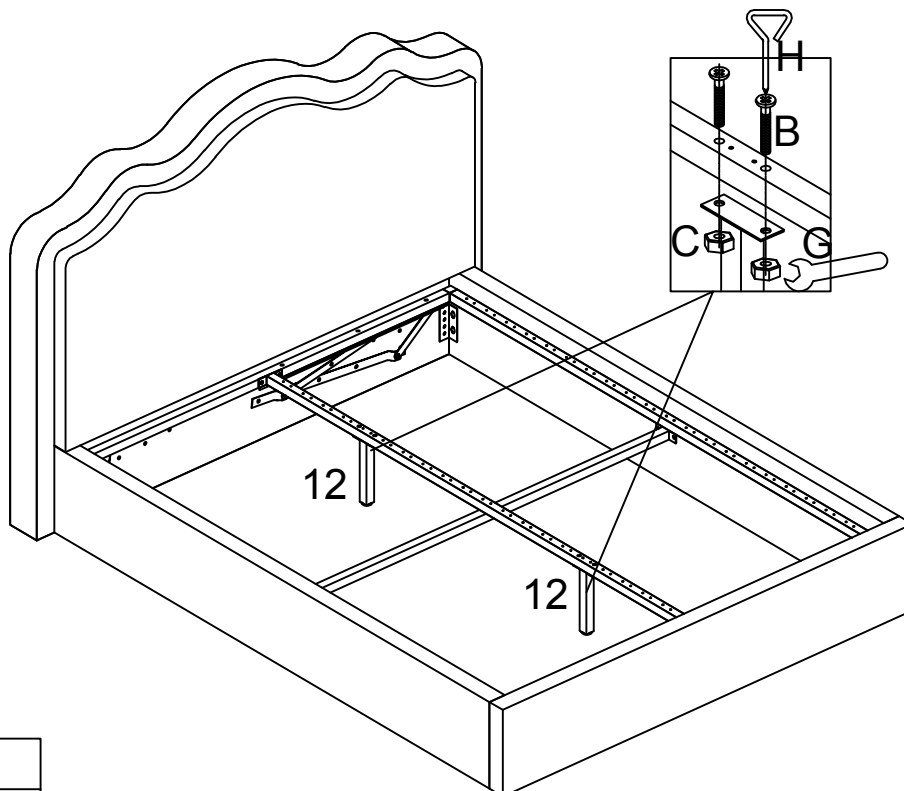


Step 9



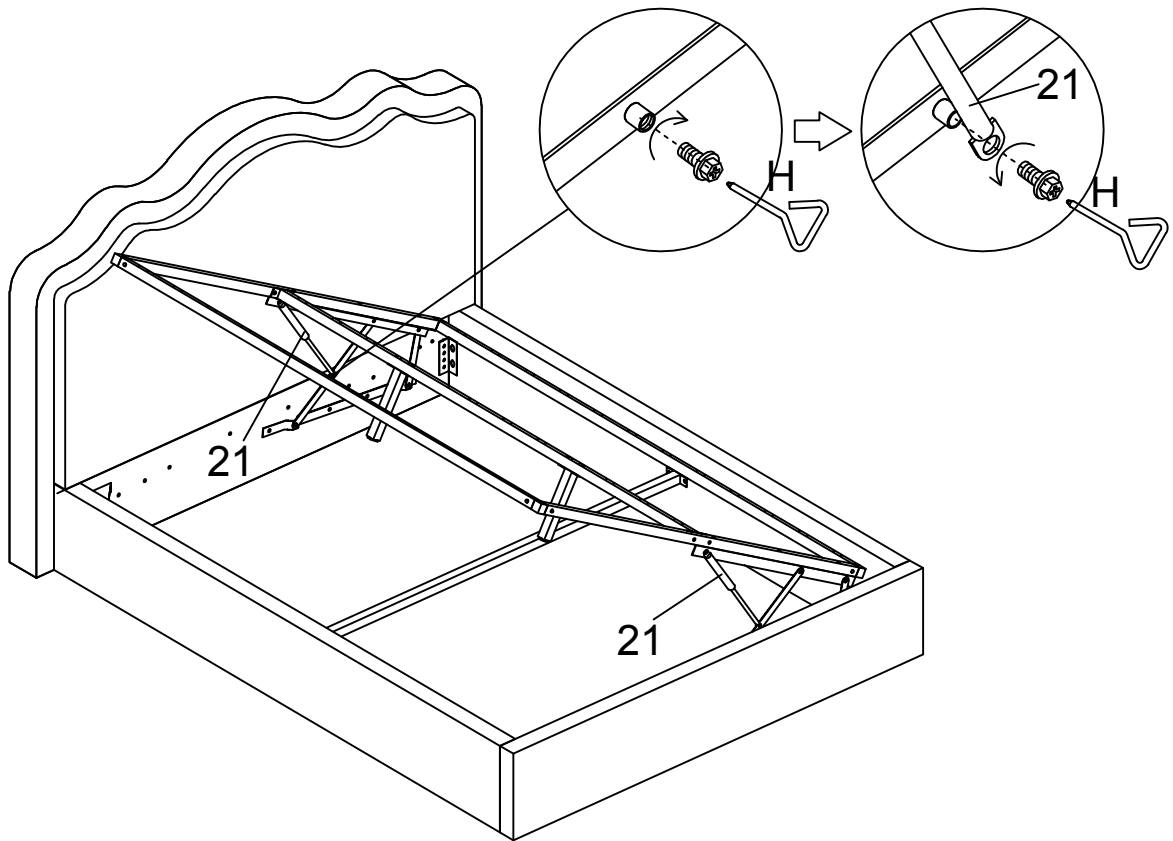
H.x1	
G.x1	
C.x6	
B.x6	

Step 10



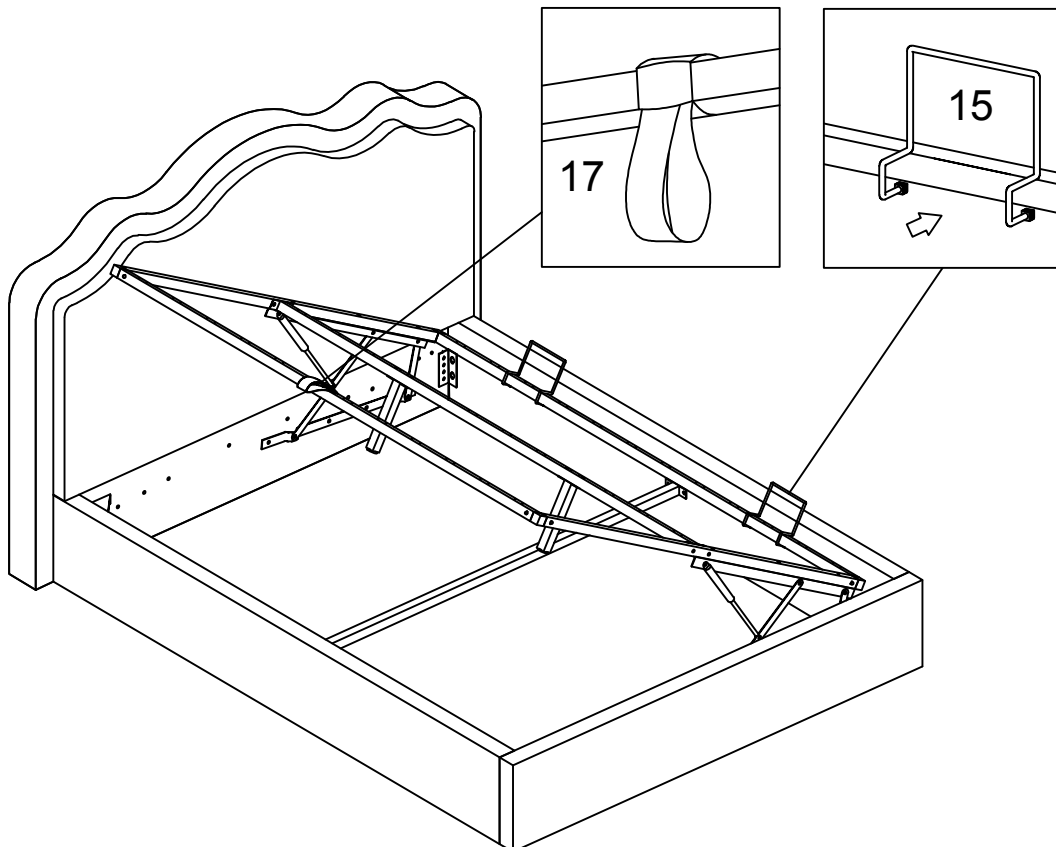
H.x1	
G.x1	
C.x4	
B.x4	

Step 11




H.x1 

Step 12

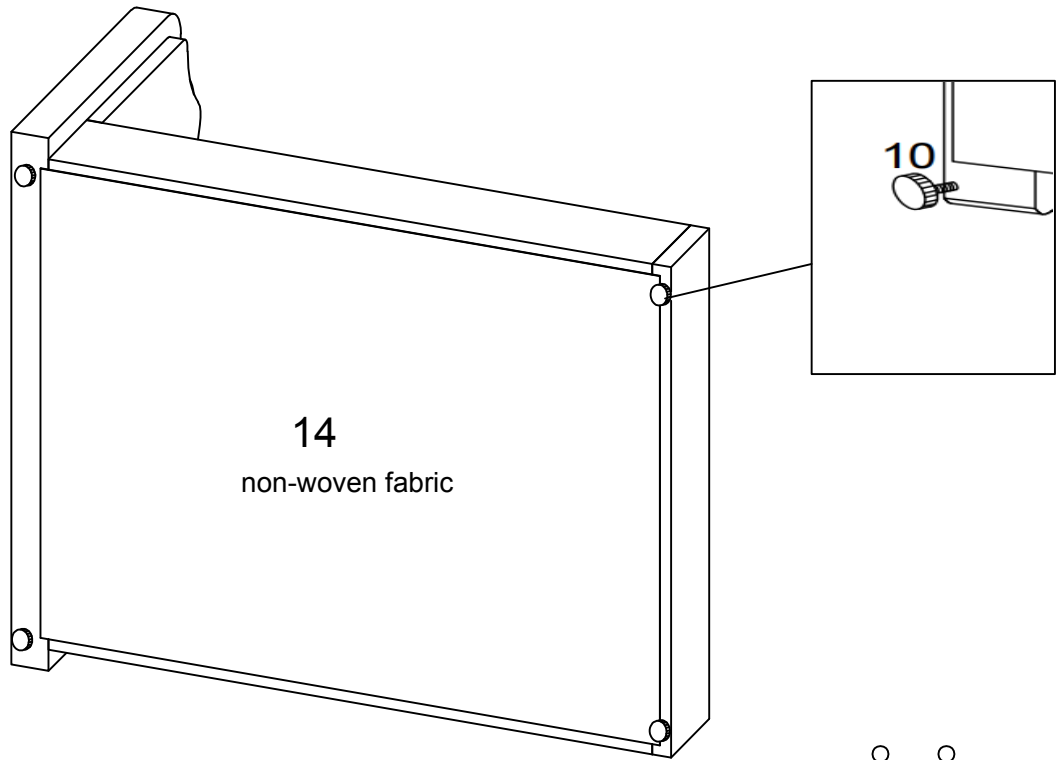


17.x1 

15.x2 

Step 13

Przyczep włóknin do dna łóżka i zamontuj 4 nóżki.



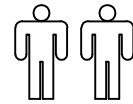
14x1



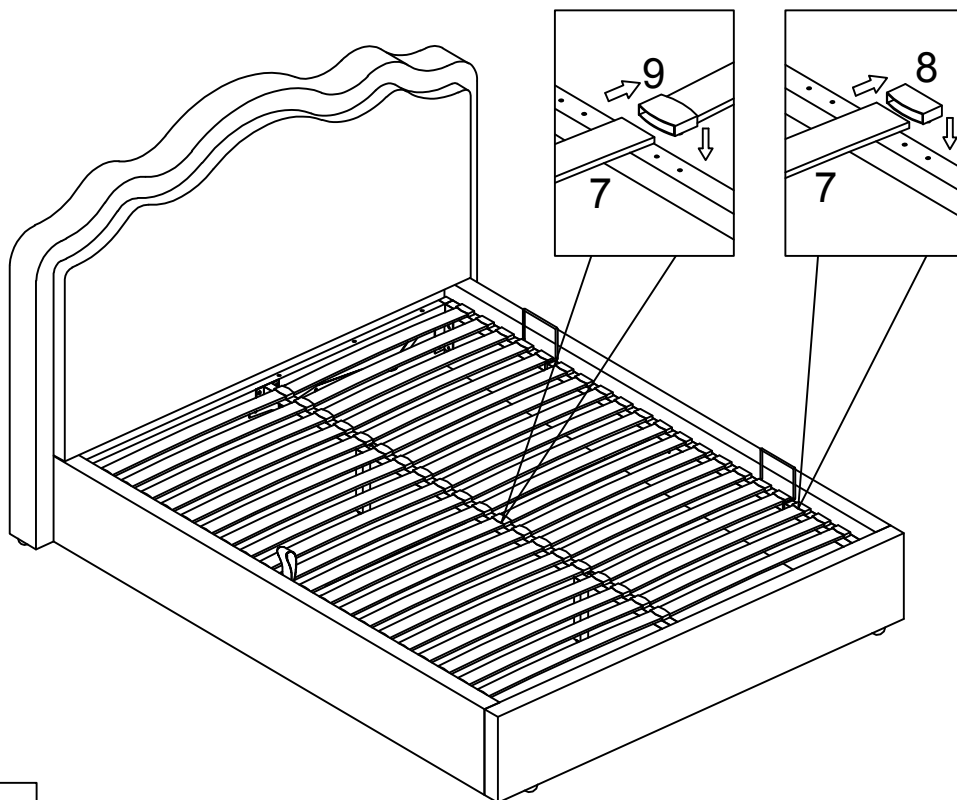
10.x4



Stick non-woven fabric to the bottom of the bed then assemble the 4 feet.



Step 14



9.x20



8.x40



7.x40

