

Q718



Components



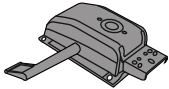
Ax1



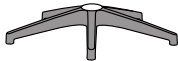
Bx1



Cx2



Dx1



Hx1



Ix1



Jx5

Hardware



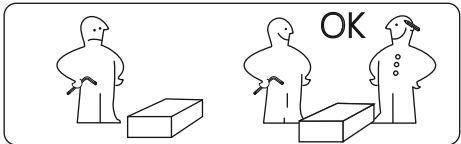
Mx6 (M6*35)



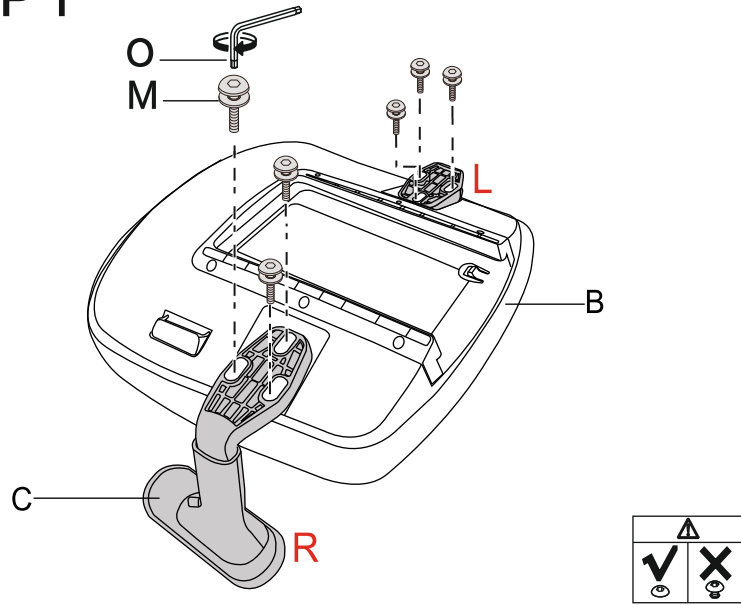
Nx7 (M8*25)



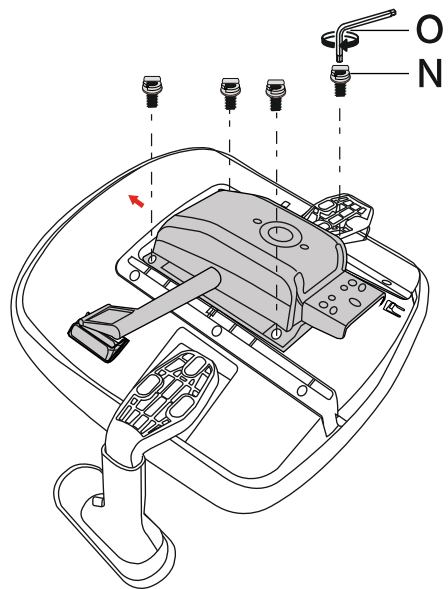
Ox1 (M5)



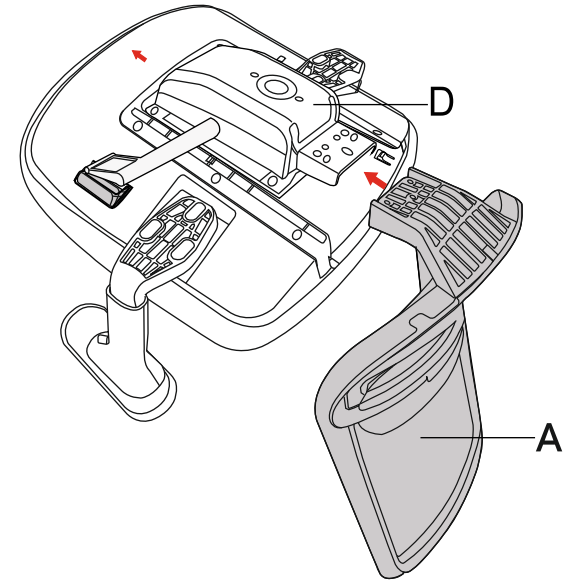
STEP 1



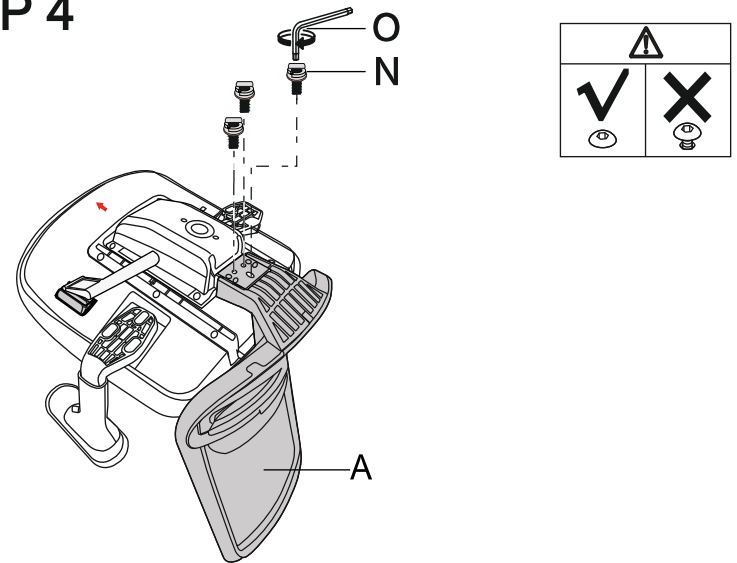
STEP 2



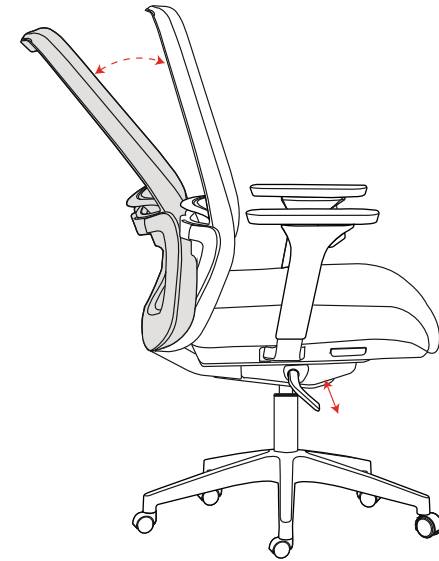
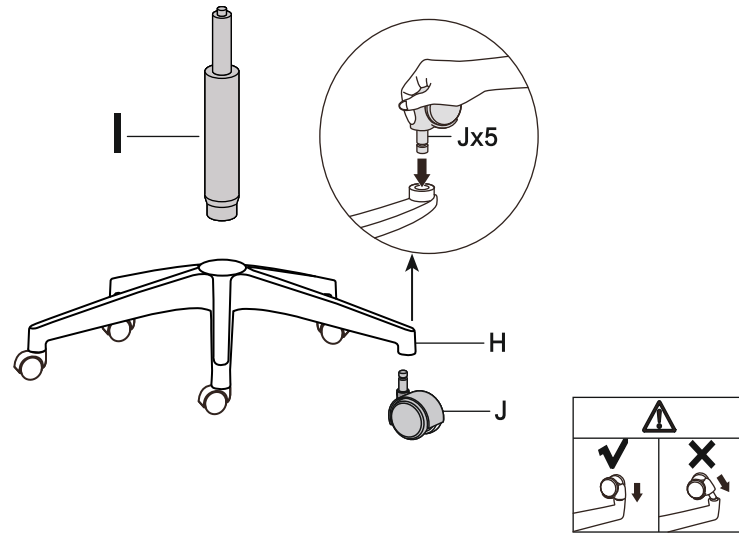
STEP 3



STEP 4



STEP 5



STEP 6

