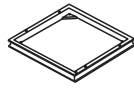


# PRINCE 55X55

A - 1PC



B - 1PC



C - 4PCS



D - 4PCS



E - 12PCS



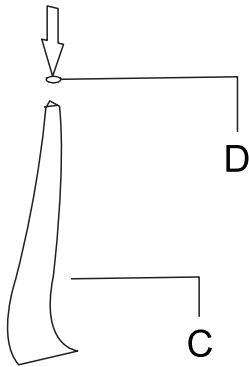
F - 4PCS



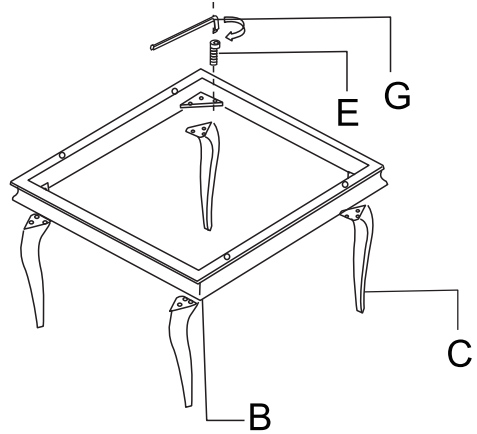
G - 1PC



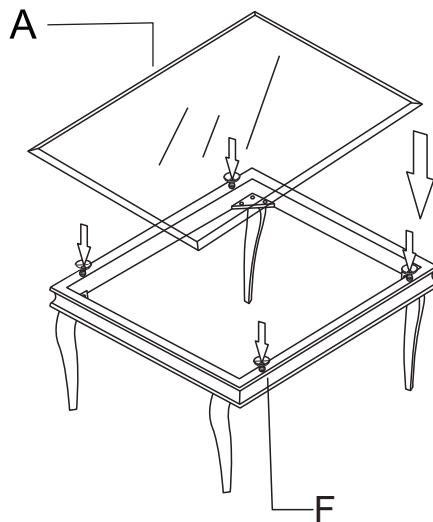
1



2



3



4

